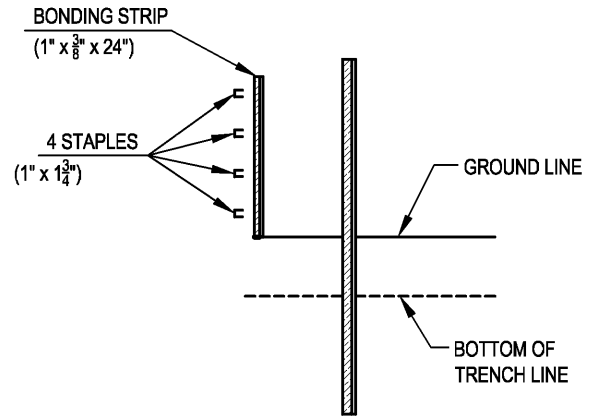


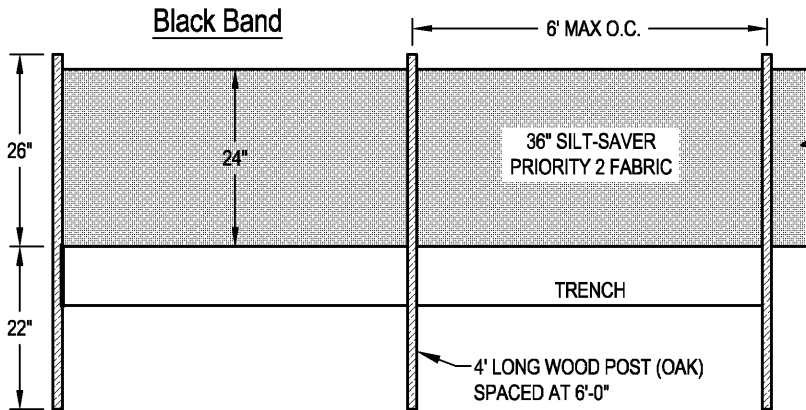
SIDE VIEW



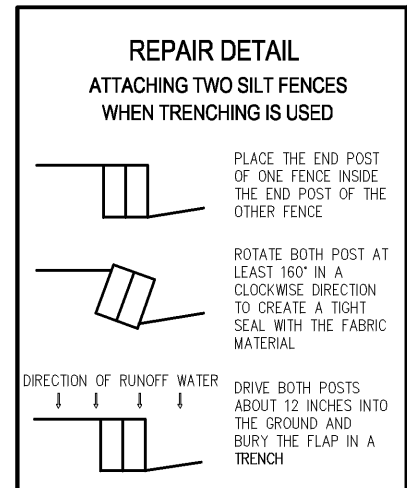
POST (OAK)

(1 1/8" x 1 1/8" x 48")

(OR EQUAL DENSITY)



FRONT ELEVATION



PLAN VIEW

SILT RETENTION FENCE
PRIORITY 2

FRAME MATERIAL: OAK OR SIMILAR
FILTER FABRIC MATERIAL: REFER TO SPEC
SCALE: NOT TO SCALE
LAST UPDATED: FEBRUARY 2015