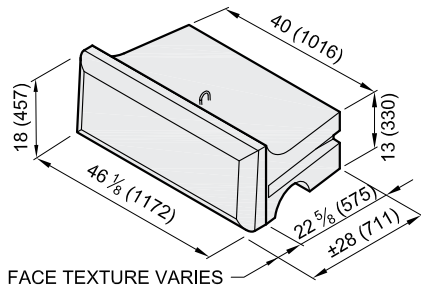


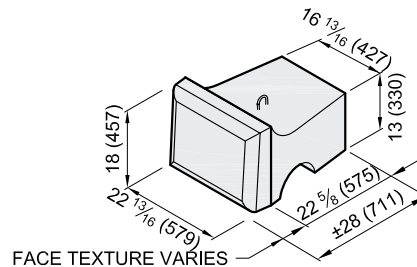
### 28" (710mm) TOP

Face Texture:	Cobble / Limestone	Ledgestone
Block Weight:	1229 lb (557 kg)	1158 lb (525 kg)
Block Volume:	8.57 ft <sup>3</sup> (0.243 m <sup>3</sup> )	8.07 ft <sup>3</sup> (0.229 m <sup>3</sup> )
Center of Gravity:	14.9" (378mm)	14.2" (362mm)



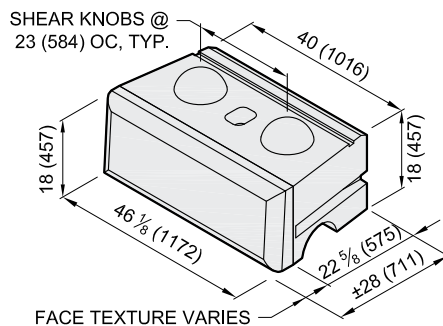
### 28" (710mm) HALF TOP

Face Texture:	Cobble / Limestone	Ledgestone
Block Weight:	573 lb (260 kg)	538 lb (244 kg)
Block Volume:	4.01 ft <sup>3</sup> (0.113 m <sup>3</sup> )	3.76 ft <sup>3</sup> (0.106 m <sup>3</sup> )
Center of Gravity:	15.3" (389 mm)	14.7" (373 mm)



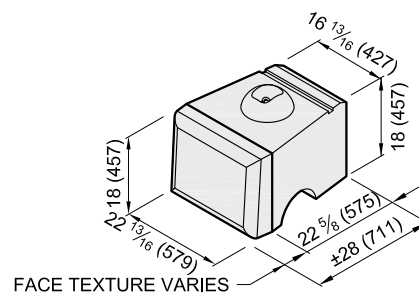
### 28" (710mm) MIDDLE

Face Texture:	Cobble / Limestone	Ledgestone
Block Weight:	1613 lb (732 kg)	1542 lb (699 kg)
Block Volume:	11.28 ft <sup>3</sup> (0.319 m <sup>3</sup> )	10.78 ft <sup>3</sup> (0.305 m <sup>3</sup> )
Center of Gravity:	13.9" (354 mm)	13.4" (340 mm)



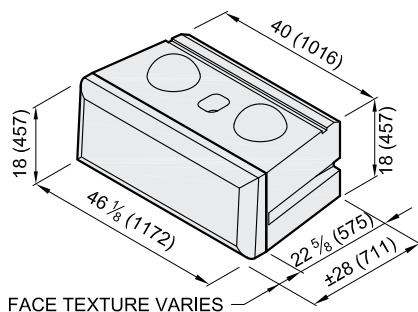
### 28" (710mm) HALF MIDDLE

Face Texture:	Cobble / Limestone	Ledgestone
Block Weight:	748 lb (339 kg)	713 lb (323 kg)
Block Volume:	5.23 ft <sup>3</sup> (0.148 m <sup>3</sup> )	4.98 ft <sup>3</sup> (0.141 m <sup>3</sup> )
Center of Gravity:	14.3" (364 mm)	13.8" (350 mm)



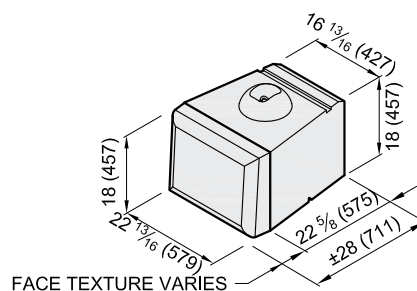
### 28" (710mm) BOTTOM

Face Texture:	Cobble / Limestone	Ledgestone
Block Weight:	1744 lb (791 kg)	1672 lb (758 kg)
Block Volume:	12.19 ft <sup>3</sup> (0.345 m <sup>3</sup> )	11.70 ft <sup>3</sup> (0.331 m <sup>3</sup> )
Center of Gravity:	14.0" (355 mm)	13.5" (343 mm)



### 28" (710mm) HALF BOTTOM

Face Texture:	Cobble / Limestone	Ledgestone
Block Weight:	809 lb (367 kg)	774 lb (351 kg)
Block Volume:	5.66 ft <sup>3</sup> (0.160 m <sup>3</sup> )	5.41 ft <sup>3</sup> (0.153 m <sup>3</sup> )
Center of Gravity:	14.3" (364 mm)	13.8" (352 mm)



- Units for dimensions are inches (mm), typical unless noted otherwise.
- Confirm block production with licensed Redi-Rock manufacturer.
- Center of Gravity is measured from the back of block.
- Actual block volumes and weights may vary.
- Weights are based upon a concrete density of 143 lb/ft<sup>3</sup> (2291kg/m<sup>3</sup>).

- Half blocks contain a fork slot on only one side of the block.
- Interface Shear knobs are typically 10" (254mm) diameter by 4" (102mm) tall. Smaller knob diameters are available.

DRAWN BY:	BWL
APPROVED BY:	JRJ
DATE:	3JUN2015
SHEET:	1 of 8

TITLE: **Block Library**  
RETAINING BLOCKS

FILE: Redi-Rock Block Library 060315.dwg

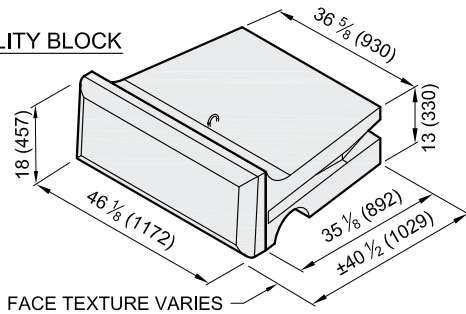
**REDI-ROCK®**

05481 US 31 SOUTH, CHARLEVOIX, MI 49720  
(866) 222-8400 ext 3010 • engineering@redi-rock.com  
www.redi-rock.com

### 41" (1030mm) TOP \*

Face Texture:	Cobble / Limestone	Ledgestone
Block Weight:	1748 lb (793 kg)	1677 lb (760 kg)
Block Volume:	12.22 ft <sup>3</sup> (0.346 m <sup>3</sup> )	11.73 ft <sup>3</sup> (0.332 m <sup>3</sup> )
Center of Gravity:	21.3" (540 mm)	20.6" (522 mm)

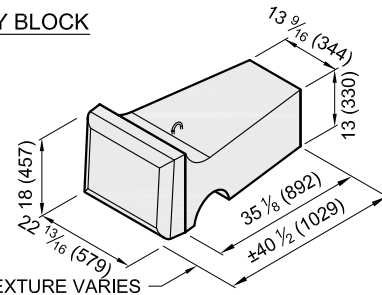
SPECIALITY BLOCK



### 41" (1030mm) HALF TOP \*

Face Texture:	Cobble / Limestone	Ledgestone
Block Weight:	770 lb (350 kg)	735 lb (333 kg)
Block Volume:	5.38 ft <sup>3</sup> (0.15 m <sup>3</sup> )	5.14 ft <sup>3</sup> (0.15 m <sup>3</sup> )
Center of Gravity:	22.4" (568 mm)	21.6" (550 mm)

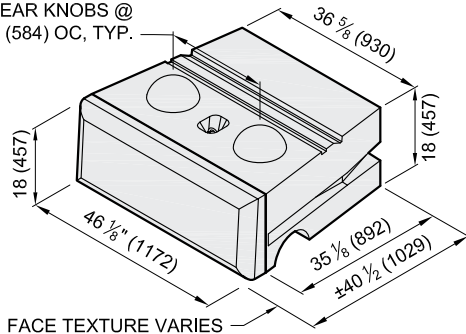
SPECIALITY BLOCK



### 41" (1030mm) MIDDLE

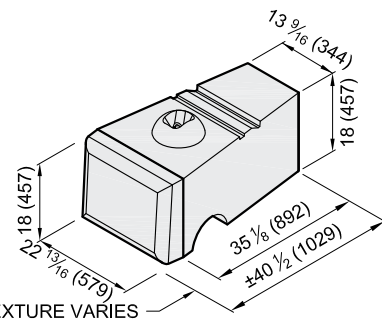
Face Texture:	Cobble / Limestone	Ledgestone
Block Weight:	2309 lb (1047 kg)	2237 lb (1015 kg)
Block Volume:	16.14 ft <sup>3</sup> (0.457 m <sup>3</sup> )	15.65 ft <sup>3</sup> (0.443 m <sup>3</sup> )
Center of Gravity:	20.4" (518 mm)	19.8" (504 mm)

SHEAR KNOBS @  
23 (584) OC, TYP.



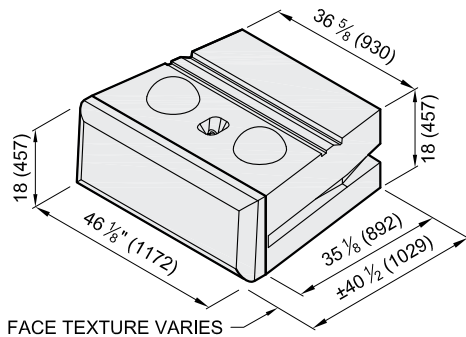
### 41" (1030mm) HALF MIDDLE

Face Texture:	Cobble / Limestone	Ledgestone
Block Weight:	1022 lb (463 kg)	987 lb (447 kg)
Block Volume:	7.14 ft <sup>3</sup> (0.20 m <sup>3</sup> )	6.90 ft <sup>3</sup> (0.20 m <sup>3</sup> )
Center of Gravity:	21.4" (543 mm)	20.8" (528 mm)



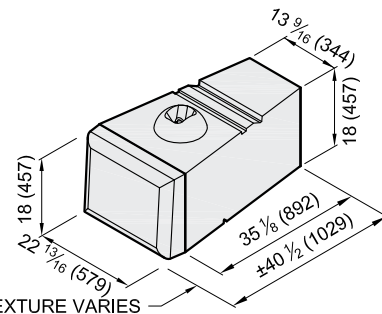
### 41" (1030mm) BOTTOM

Face Texture:	Cobble / Limestone	Ledgestone
Block Weight:	2439 lb (1106 kg)	2368 lb (1074 kg)
Block Volume:	17.06 ft <sup>3</sup> (0.483 m <sup>3</sup> )	16.56 ft <sup>3</sup> (0.469 m <sup>3</sup> )
Center of Gravity:	20.7" (527 mm)	20.2" (514 mm)



### 41" (1030mm) HALF BOTTOM

Face Texture:	Cobble / Limestone	Ledgestone
Block Weight:	1083 lb (491 kg)	1048 lb (475 kg)
Block Volume:	7.58 ft <sup>3</sup> (0.21 m <sup>3</sup> )	7.33 ft <sup>3</sup> (0.21 m <sup>3</sup> )
Center of Gravity:	21.7" (551 mm)	21.2" (538 mm)



- Units for dimensions are inches (mm), typical unless noted otherwise.
- Confirm block production with licensed Redi-Rock manufacturer.
- Center of Gravity is measured from the back of block.
- Actual block volumes and weights may vary.
- Weights are based upon a concrete density of 143 lb/ft<sup>3</sup> (2291kg/m<sup>3</sup>).

- Half blocks contain a fork slot on only one side of the block.
- Interface Shear knobs are typically 10" (254mm) diameter by 4" (102mm) tall. Smaller knob diameters are available.
- \* 41" (1030mm) Top blocks are not typical and used in limited applications.

DRAWN BY:	BWL
APPROVED BY:	JRJ
DATE:	3JUN2015
SHEET:	2 of 8

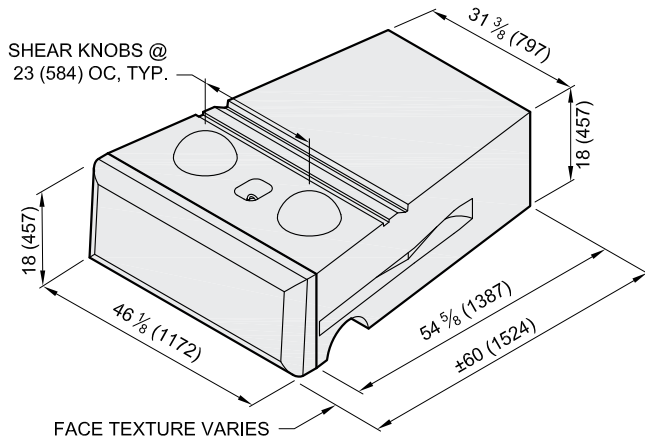
TITLE: **Block Library**  
RETAINING BLOCKS

FILE: Redi-Rock Block Library 060315.dwg

**REDI-ROCK**  
05481 US 31 SOUTH, CHARLEVOIX, MI 49720  
(866) 222-8400 ext 3010 • [engineering@redi-rock.com](mailto:engineering@redi-rock.com)  
[www.redi-rock.com](http://www.redi-rock.com)

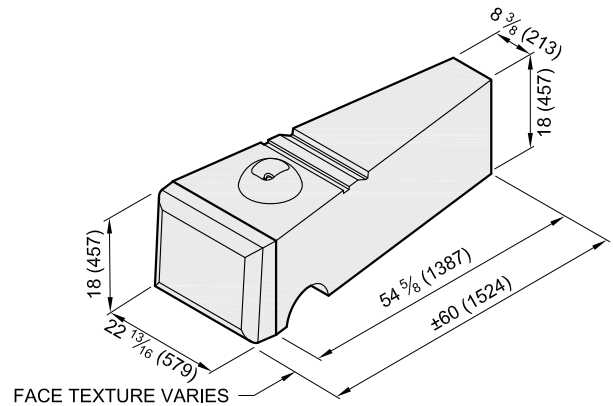
### 60" (1520mm) MIDDLE

Face Texture:	Cobble / Limestone	Ledgestone
Block Weight:	3287 lb (1491 kg)	3216 lb (1458 kg)
Block Volume:	23.00 ft <sup>3</sup> (0.651 m <sup>3</sup> )	22.49 ft <sup>3</sup> (0.637 m <sup>3</sup> )
Center of Gravity:	31.0" (786 mm)	30.4" (772 mm)



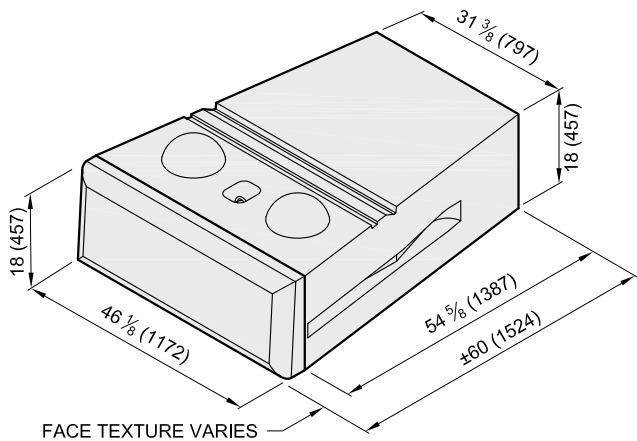
### 60" (1520mm) HALF MIDDLE

Face Texture:	Cobble / Limestone	Ledgestone
Block Weight:	1335 lb (606 kg)	1300 lb (590 kg)
Block Volume:	9.34 ft <sup>3</sup> (0.264 m <sup>3</sup> )	9.09 ft <sup>3</sup> (0.258 m <sup>3</sup> )
Center of Gravity:	33.7" (856 mm)	33.1" (840 mm)



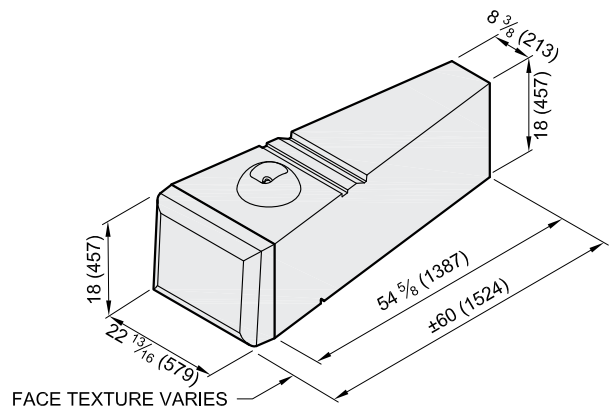
### 60" (1520mm) BOTTOM

Face Texture:	Cobble / Limestone	Ledgestone
Block Weight:	3418 lb (1550 kg)	3346 lb (1518 kg)
Block Volume:	23.90 ft <sup>3</sup> (0.677 m <sup>3</sup> )	23.40 ft <sup>3</sup> (0.663 m <sup>3</sup> )
Center of Gravity:	31.6" (802 mm)	31.0" (788 mm)



### 60" (1520mm) HALF BOTTOM

Face Texture:	Cobble / Limestone	Ledgestone
Block Weight:	1397 lb (633 kg)	1364 lb (618 kg)
Block Volume:	9.77 ft <sup>3</sup> (0.277 m <sup>3</sup> )	9.52 ft <sup>3</sup> (0.270 m <sup>3</sup> )
Center of Gravity:	34.3" (871 mm)	33.7" (856 mm)



1. Units for dimensions are inches (mm), typical unless noted otherwise.
2. Confirm block production with licensed Redi-Rock manufacturer.
3. Center of Gravity is measured from the back of block.
4. Actual block volumes and weights may vary.
5. Weights are based upon a concrete density of 143 lb/ft<sup>3</sup> (2291kg/m<sup>3</sup>).

6. 60" (1520 mm) are typically used at the bottom of taller walls.
7. Half blocks contain a fork slot on only one side of the block.
8. Interface Shear knobs are typically 10" (254mm) diameter by 4" (102mm) tall. Smaller knob diameters are available.

DRAWN BY:	BWL
APPROVED BY:	JRJ
DATE:	3JUN2015
SHEET:	3 of 8

TITLE: **Block Library**  
RETAINING BLOCKS

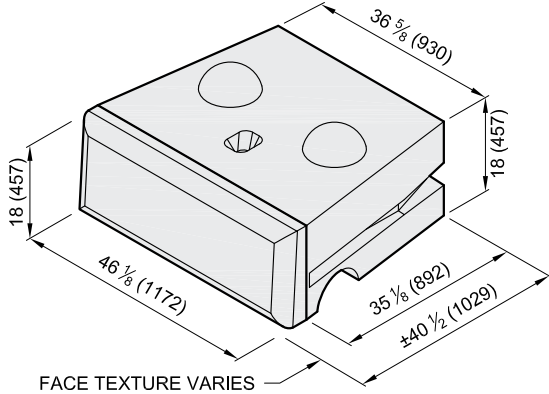
FILE: RediRock Block Library 060315.dwg

**REDI-ROCK®**

05481 US 31 SOUTH, CHARLEVOIX, MI 49720  
(866) 222-8400 ext 3010 • engineering@redi-rock.com  
www.redi-rock.com

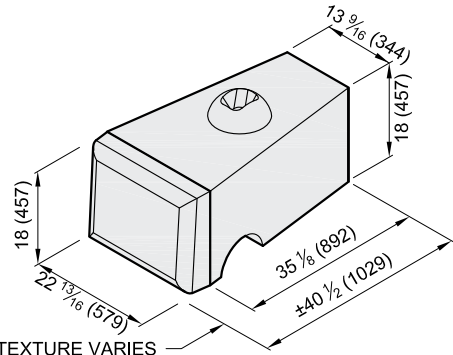
## 41" (1030mm) MIDDLE 9" (230mm) SETBACK

Face Texture:	Cobble / Limestone	Ledgestone	Face Texture:	Cobble / Limestone	Ledgestone
Block Weight:	2319 lb (1052 kg)	2247 lb (1019 kg)	Block Weight:	1030 lb (467 kg)	995 lb (451 kg)
Block Volume:	16.21 ft <sup>3</sup> (0.46 m <sup>3</sup> )	15.72 ft <sup>3</sup> (0.44 m <sup>3</sup> )	Block Volume:	7.20 ft <sup>3</sup> (0.20 m <sup>3</sup> )	6.96 ft <sup>3</sup> (0.20 m <sup>3</sup> )
Center of Gravity:	20.2" (514 mm)	19.7" (500 mm)	Center of Gravity:	21.3" (540 mm)	20.7" (525 mm)



FACE TEXTURE VARIES

**FULL MIDDLE**

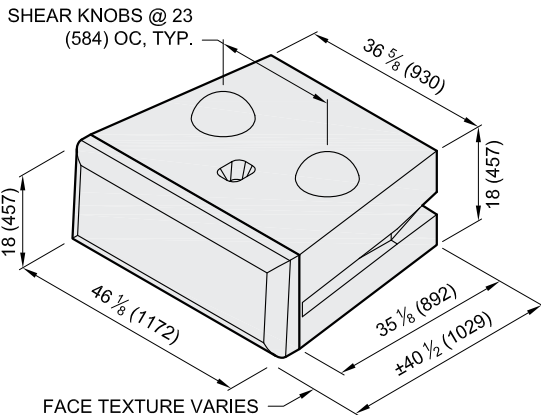


FACE TEXTURE VARIES

**HALF MIDDLE**

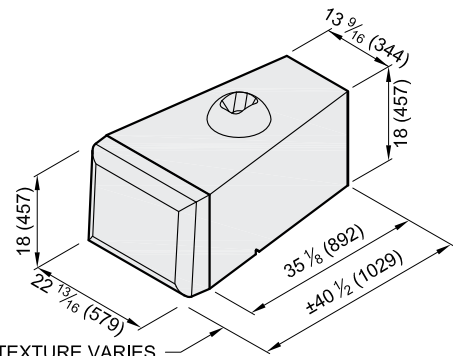
## 41" (1030mm) BOTTOM 9" (230mm) SETBACK

Face Texture:	Cobble / Limestone	Ledgestone	Face Texture:	Cobble / Limestone	Ledgestone
Block Weight:	2449 lb (1111 kg)	2378 lb (1078 kg)	Block Weight:	1092 lb (495 kg)	1057 lb (479 kg)
Block Volume:	17.13 ft <sup>3</sup> (0.48 m <sup>3</sup> )	16.63 ft <sup>3</sup> (0.47 m <sup>3</sup> )	Block Volume:	7.63 ft <sup>3</sup> (0.22 m <sup>3</sup> )	7.39 ft <sup>3</sup> (0.21 m <sup>3</sup> )
Center of Gravity:	20.6" (523 mm)	20.1" (510 mm)	Center of Gravity:	21.6" (548 mm)	21.0" (534 mm)



FACE TEXTURE VARIES

**FULL BOTTOM**



FACE TEXTURE VARIES

**HALF BOTTOM**

- Units for dimensions are inches (mm), typical unless noted otherwise.
- Confirm block production with licensed Redi-Rock manufacturer.
- Center of Gravity is measured from the back of block.
- Actual block volumes and weights may vary.
- Weights are based upon a concrete density of 143 lb/ft<sup>3</sup> (2291kg/m<sup>3</sup>).
- Half blocks contain a fork slot on only one side of the block.
- Interface Shear knobs are typically 10" (254mm) diameter by 4" (102 mm) tall.

DRAWN BY:	BWL
APPROVED BY:	JRJ
DATE:	3JUN2015
SHEET:	4 of 8

TITLE:	<h1>Block Library</h1> RETAINING BLOCKS
FILE:	

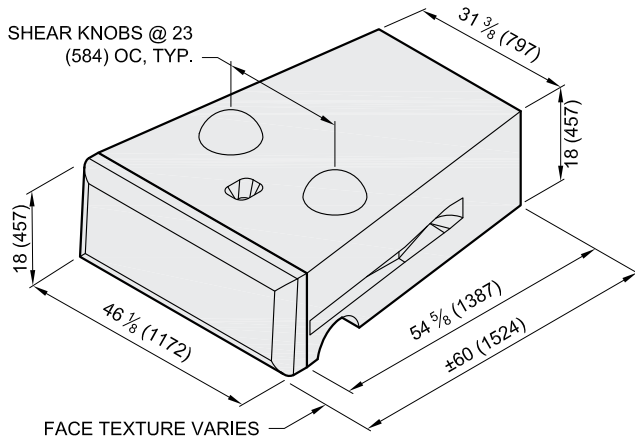
**REDI-ROCK®**

05481 US 31 SOUTH, CHARLEVOIX, MI 49720  
(866) 222-8400 ext 3010 • [engineering@redi-rock.com](mailto:engineering@redi-rock.com)  
[www.redi-rock.com](http://www.redi-rock.com)

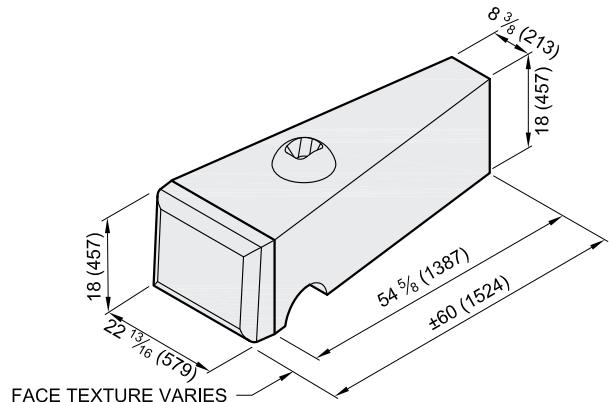
### 60" (1520mm) MIDDLE 9" (230mm) SETBACK

Face Texture:	Cobble / Limestone	Ledgestone
Block Weight:	3297 lb (1495 kg)	3226 lb (1463 kg)
Block Volume:	23.06 ft <sup>3</sup> (0.65 m <sup>3</sup> )	22.56 ft <sup>3</sup> (0.64 m <sup>3</sup> )
Center of Gravity:	30.9" (785 mm)	30.3" (770 mm)

Face Texture:	Cobble / Limestone	Ledgestone
Block Weight:	1340 lb (608 kg)	1305 lb (592 kg)
Block Volume:	9.37 ft <sup>3</sup> (0.26 m <sup>3</sup> )	9.12 ft <sup>3</sup> (0.26 m <sup>3</sup> )
Center of Gravity:	33.6" (855 mm)	33.0" (839 mm)



**FULL MIDDLE**

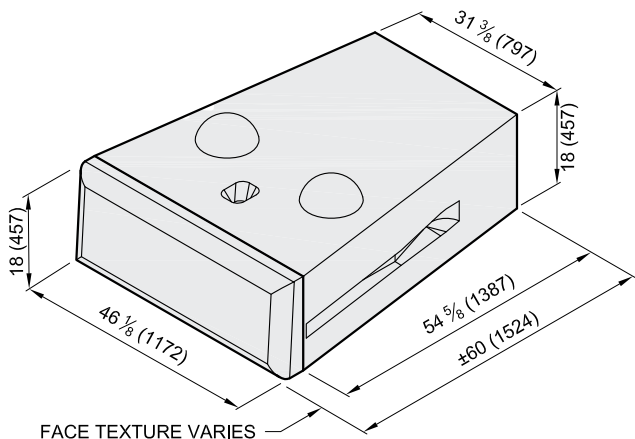


**HALF MIDDLE**

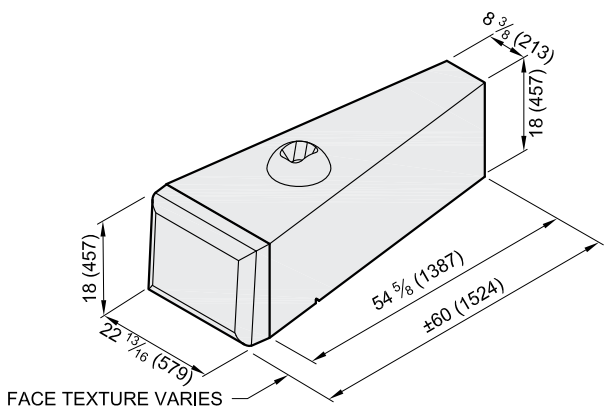
### 60" (1520mm) BOTTOM 9" (230mm) SETBACK

Face Texture:	Cobble / Limestone	Ledgestone
Block Weight:	3428 lb (1554 kg)	3356 lb (1522 kg)
Block Volume:	23.97 ft <sup>3</sup> (0.68 m <sup>3</sup> )	23.47 ft <sup>3</sup> (0.66 m <sup>3</sup> )
Center of Gravity:	31.5" (800 mm)	30.9" (786 mm)

Face Texture:	Cobble / Limestone	Ledgestone
Block Weight:	1401 lb (635 kg)	1366 lb (620 kg)
Block Volume:	9.80 ft <sup>3</sup> (0.28 m <sup>3</sup> )	9.55 ft <sup>3</sup> (0.27 m <sup>3</sup> )
Center of Gravity:	34.2" (869 mm)	33.6" (854 mm)



**FULL BOTTOM**



**HALF BOTTOM**

- Units for dimensions are inches (mm), typical unless noted otherwise.
- Confirm block production with licensed Redi-Rock manufacturer.
- Center of Gravity is measured from the back of block.
- Actual block volumes and weights may vary.
- Weights are based upon a concrete density of 143 lb/ft<sup>3</sup> (2291kg/m<sup>3</sup>).
- Half blocks contain a fork slot on only one side of the block.
- Interface Shear knobs are typically 10" (254mm) diameter by 4" (102 mm) tall.
- 60" (1520 mm) Blocks are typically used at the bottom of taller walls.

DRAWN BY:	BWL
APPROVED BY:	JRJ
DATE:	3JUN2015
SHEET:	5 of 8

TITLE: **Block Library**  
RETAINING BLOCKS

FILE: RediRock Block Library 060315.dwg

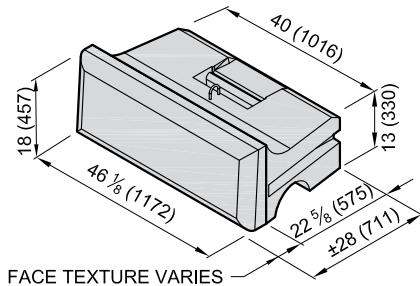
**REDI-ROCK®**

05481 US 31 SOUTH, CHARLEVOIX, MI 49720  
(866) 222-8400 ext 3010 • [engineering@redi-rock.com](mailto:engineering@redi-rock.com)  
[www.redi-rock.com](http://www.redi-rock.com)



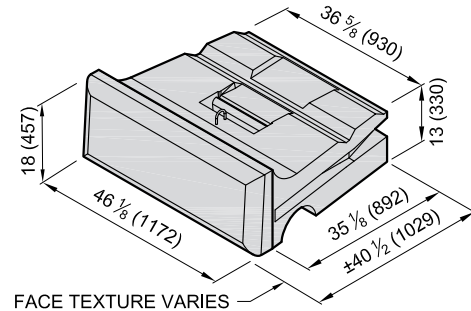
## 28" (710mm) PC TOP

Face Texture:	Cobble / Limestone	Ledgestone
Block Weight:	1167 lb (529 kg)	1096 lb (497 kg)
Block Volume:	8.16 ft <sup>3</sup> (0.231 m <sup>3</sup> )	7.66 ft <sup>3</sup> (0.217 m <sup>3</sup> )
Center of Gravity:	15.3" (388 mm)	14.6" (372 mm)



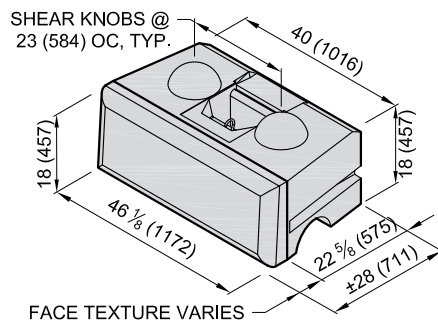
## 41" (1030mm) PC TOP

Face Texture:	Cobble / Limestone	Ledgestone
Block Weight:	1627 lb (738 kg)	1556 lb (706 kg)
Block Volume:	11.38 ft <sup>3</sup> (0.32 m <sup>3</sup> )	10.88 ft <sup>3</sup> (0.31 m <sup>3</sup> )
Center of Gravity:	21.8" (554 mm)	21.1" (536 mm)



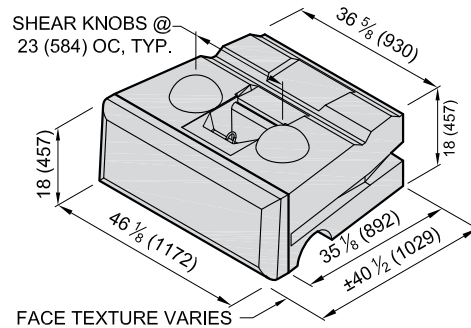
## 28" (710mm) PC MIDDLE

Face Texture:	Cobble / Limestone	Ledgestone
Block Weight:	1518 lb (689 kg)	1447 lb (656 kg)
Block Volume:	10.62 ft <sup>3</sup> (0.301 m <sup>3</sup> )	10.12 ft <sup>3</sup> (0.287 m <sup>3</sup> )
Center of Gravity:	14.2" (360 mm)	13.6" (346 mm)



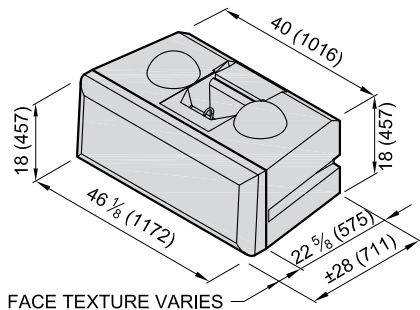
## 41" (1030mm) PC MIDDLE

Face Texture:	Cobble / Limestone	Ledgestone
Block Weight:	2172 lb (985 kg)	2101 lb (953 kg)
Block Volume:	15.2 ft <sup>3</sup> (0.43 m <sup>3</sup> )	14.69 ft <sup>3</sup> (0.42 m <sup>3</sup> )
Center of Gravity:	20.6" (522 mm)	20.0" (508 mm)



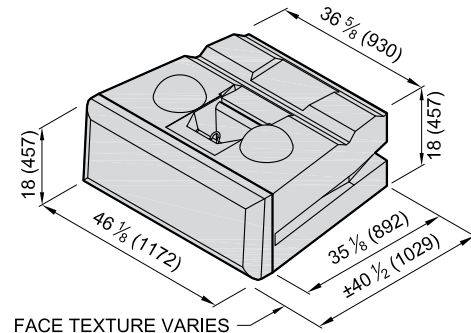
## 28" (710mm) PC BOTTOM

Face Texture:	Cobble / Limestone	Ledgestone
Block Weight:	1622 lb (736 kg)	1551 lb (703 kg)
Block Volume:	11.34 ft <sup>3</sup> (0.321 m <sup>3</sup> )	10.85 ft <sup>3</sup> (0.307 m <sup>3</sup> )
Center of Gravity:	14.2" (362 mm)	13.7" (349 mm)



## 41" (1030mm) PC BOTTOM

Face Texture:	Cobble / Limestone	Ledgestone
Block Weight:	2276 lb (1032 kg)	2205 lb (1000 kg)
Block Volume:	15.92 ft <sup>3</sup> (0.45 m <sup>3</sup> )	15.42 ft <sup>3</sup> (0.44 m <sup>3</sup> )
Center of Gravity:	20.2" (514mm)	19.7" (501mm)



1. Units for dimensions are inches (mm), typical unless noted otherwise.
2. Confirm block production with licensed Redi-Rock manufacturer.
3. Center of Gravity is measured from the back of block.
4. Actual block volumes and weights may vary.
5. Weights are based upon a concrete density of 143 lb/ft<sup>3</sup> (2291kg/m<sup>3</sup>).

6. Blocks contain a vertical slot for a 12" (300 mm) strip of geogrid soil reinforcement.
7. Interface Shear knobs are typically 10" (254mm) diameter by 4" (102 mm) tall. Smaller knob diameters are available.

DRAWN BY:	BWL
APPROVED BY:	JRJ
DATE:	3JUN2015
SHEET:	6 of 8

# Block Library

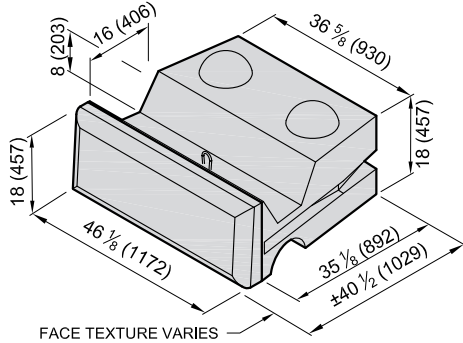
## RETAINING BLOCKS

FILE: Redi-Rock Block Library 060315.dwg

**REDI-ROCK®**  
 05481 US 31 SOUTH, CHARLEVOIX, MI 49720  
 (866) 222-8400 ext 3010 • [engineering@redi-rock.com](mailto:engineering@redi-rock.com)  
[www.redi-rock.com](http://www.redi-rock.com)

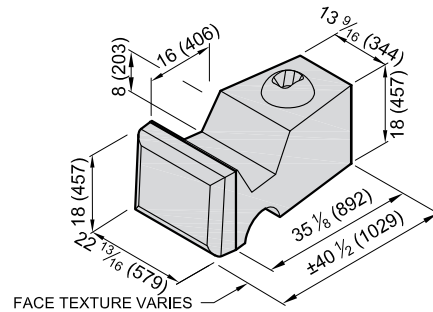
### 41" (1030mm) PLANTER

Face Texture:	Cobble / Limestone	Ledgestone
Block Weight:	2005 lb (910 kg)	1934 lb (877 kg)
Block Volume:	14.02 ft <sup>3</sup> (0.40 m <sup>3</sup> )	13.53 ft <sup>3</sup> (0.38 m <sup>3</sup> )
Center of Gravity:	19.1" (485 mm)	18.4" (468 mm)



### 41" (1030mm) HALF PLANTER

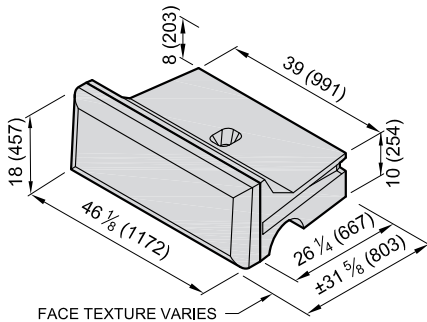
Face Texture:	Cobble / Limestone	Ledgestone
Block Weight:	878 lb (398 kg)	843 lb (382 kg)
Block Volume:	6.14 ft <sup>3</sup> (0.17 m <sup>3</sup> )	5.89 ft <sup>3</sup> (0.17 m <sup>3</sup> )
Center of Gravity:	20.2" (513 mm)	19.5" (495 mm)



### MODIFIED TOP

Face Texture:	Cobble / Limestone	Ledgestone
Block Weight:	1198 lb (543 kg)	1127 lb (511 kg)
Block Volume:	8.38 ft <sup>3</sup> (0.24 m <sup>3</sup> )	7.88 ft <sup>3</sup> (0.22 m <sup>3</sup> )
Center of Gravity:	17.9" (455 mm)	17.2" (438 mm)

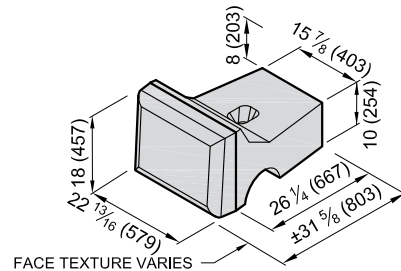
#### SPECIALITY BLOCK



### MODIFIED HALF TOP

Face Texture:	Cobble / Limestone	Ledgestone
Block Weight:	708 lb (321 kg)	637 lb (289 kg)
Block Volume:	4.95 ft <sup>3</sup> (0.14 m <sup>3</sup> )	4.45 ft <sup>3</sup> (0.13 m <sup>3</sup> )
Center of Gravity:	20.7" (527 mm)	19.8" (504 mm)

#### SPECIALITY BLOCK



1. Units for dimensions are inches (mm), typical unless noted otherwise.
2. Confirm block production with licensed Redi-Rock manufacturer.
3. Center of Gravity is measured from the back of block.
4. Actual block volumes and weights may vary.
5. Weights are based upon a concrete density of 143 lb/ft<sup>3</sup> (2291kg/m<sup>3</sup>).

6. Half blocks contain a fork slot on only one side of the block.
7. Interface Shear knobs are typically 10" (254 mm) diameter by 4" (102 mm) tall.

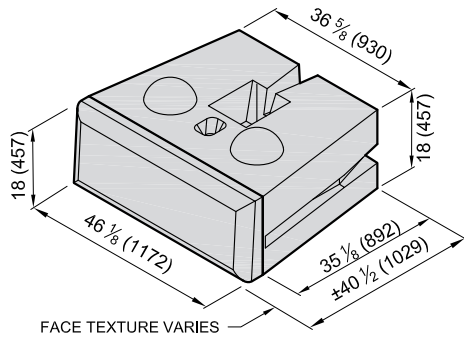
DRAWN BY:	BWL
APPROVED BY:	JRJ
DATE:	3JUN2015
SHEET:	7 of 8

TITLE:	<b>Block Library</b> RETAINING BLOCKS
FILE:	Redi-Rock Block Library 060315.dwg

**REDI-ROCK®**  
 05481 US 31 SOUTH, CHARLEVOIX, MI 49720  
 (866) 222-8400 ext 3010 • engineering@redi-rock.com  
 www.redi-rock.com

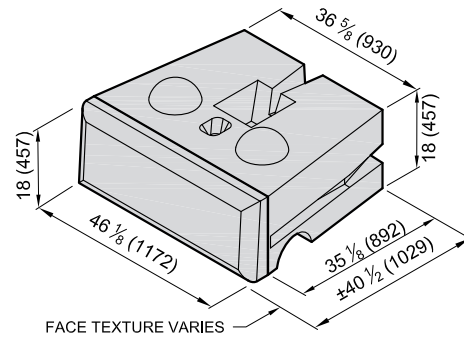
## BOTTOM ANCHOR

Face Texture:	Cobble / Limestone	Ledgestone
Block Weight:	2365 lb (1073 kg)	2294 lb (1040 kg)
Block Volume:	16.54 ft <sup>3</sup> (0.47 m <sup>3</sup> )	16.04 ft <sup>3</sup> (0.45 m <sup>3</sup> )
Center of Gravity:	21.0" (533 mm)	20.4" (519 mm)



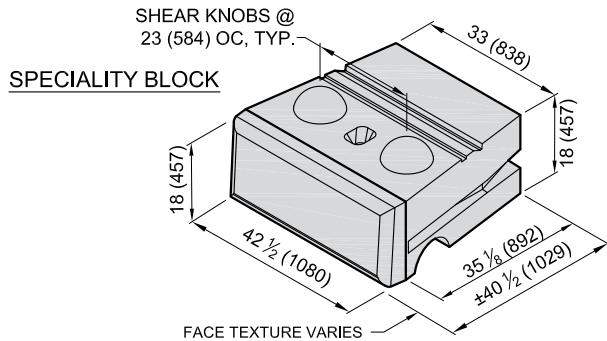
## MIDDLE ANCHOR

Face Texture:	Cobble / Limestone	Ledgestone
Block Weight:	2235 lb (1014 kg)	2164 lb (981 kg)
Block Volume:	15.63 ft <sup>3</sup> (0.44 m <sup>3</sup> )	15.13 ft <sup>3</sup> (0.43 m <sup>3</sup> )
Center of Gravity:	20.6" (523 mm)	20.0" (509 mm)



## SHORT MIDDLE

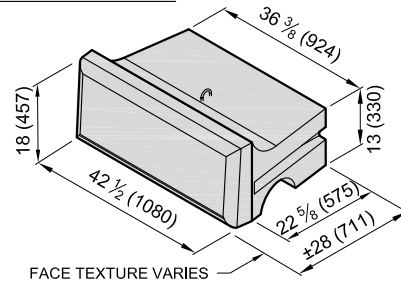
Face Texture:	Cobble / Limestone	Ledgestone
Block Weight:	2137 lb (969 kg)	2075 lb (941 kg)
Block Volume:	14.95 ft <sup>3</sup> (0.42 m <sup>3</sup> )	14.51 ft <sup>3</sup> (0.41 m <sup>3</sup> )
Center of Gravity:	19.7" (499mm)	19.2" (487mm)



## SHORT TOP

Face Texture:	Cobble / Limestone	Ledgestone
Block Weight:	1111 lb (504 kg)	1048 lb (475 kg)
Block Volume:	7.77 ft <sup>3</sup> (0.22 m <sup>3</sup> )	7.33 ft <sup>3</sup> (0.21 m <sup>3</sup> )
Center of Gravity:	13.7" (349mm)	13.2" (336mm)

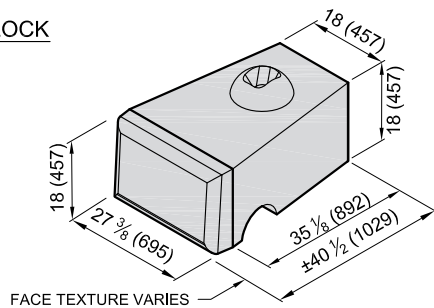
**SPECIALITY BLOCK**



## 9" (230mm) SETBACK SHORT MIDDLE

Face Texture:	Cobble / Limestone	Ledgestone
Block Weight:	1281 lb (581 kg)	1239 lb (562 kg)
Block Volume:	8.96 ft <sup>3</sup> (0.25 m <sup>3</sup> )	8.66 ft <sup>3</sup> (0.24 m <sup>3</sup> )
Center of Gravity:	20.0" (507mm)	19.5" (494mm)

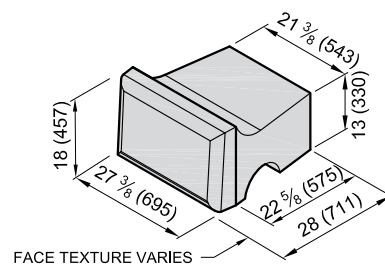
**SPECIALITY BLOCK**



## 9" (230mm) SETBACK SHORT TOP

Face Texture:	Cobble / Limestone	Ledgestone
Block Weight:	706 lb (320 kg)	664 lb (301 kg)
Block Volume:	4.94 ft <sup>3</sup> (0.14 m <sup>3</sup> )	4.64 ft <sup>3</sup> (0.13 m <sup>3</sup> )
Center of Gravity:	13.9" (352mm)	13.3" (339mm)

**SPECIALITY BLOCK**



- Units for dimensions are inches (mm), typical unless noted otherwise.
- Confirm block production with licensed Redi-Rock manufacturer.
- Center of Gravity is measured from the back of block.
- Actual block volumes and weights may vary.
- Weights are based upon a concrete density of 143 lb/ft<sup>3</sup> (2291kg/m<sup>3</sup>).

- 27" (695) wide blocks contain a fork slot on only one side of the block. These are speciality blocks and may have limited availability and is only used in double 90 degree corner applications.
- Interface Shear knobs are typically 10" (254mm) diameter by 4" (102 mm) tall. Smaller knob diameters are available.

DRAWN BY:	BWL
APPROVED BY:	JRJ
DATE:	3JUN2015
SHEET:	8 of 8

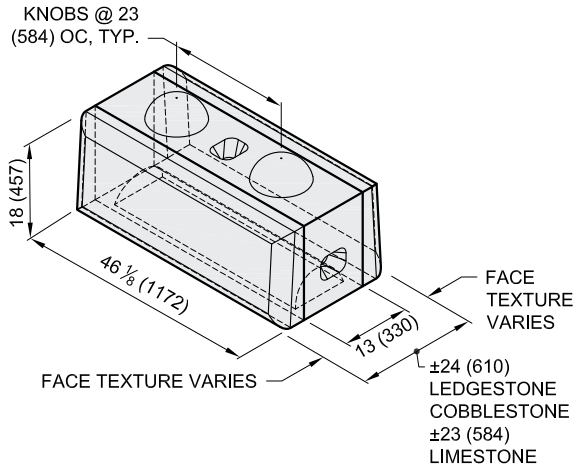
TITLE:	<b>Block Library</b> RETAINING BLOCKS
FILE:	Redi-Rock Block Library 060315.dwg

**REDI-ROCK®**  
05481 US 31 SOUTH, CHARLEVOIX, MI 49720  
(866) 222-8400 ext 3010 • engineering@redi-rock.com  
www.redi-rock.com



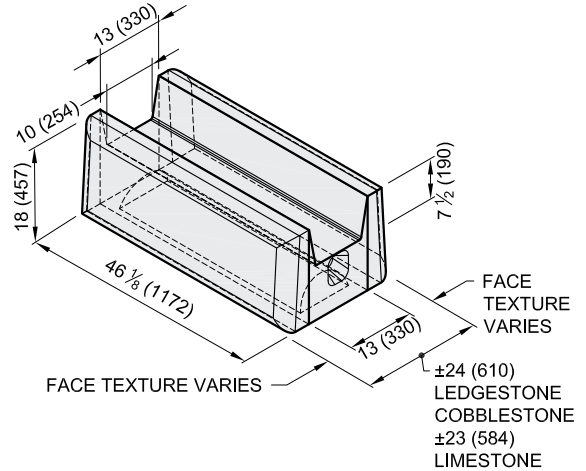
### STRAIGHT MIDDLE

Face Texture:	Cobble / Limestone	Ledgestone
Block Weight:	1407 lb (638 kg)	1264 lb (573 kg)
Block Volume:	9.84 ft <sup>3</sup> (0.279 m <sup>3</sup> )	8.84 ft <sup>3</sup> (0.250 m <sup>3</sup> )



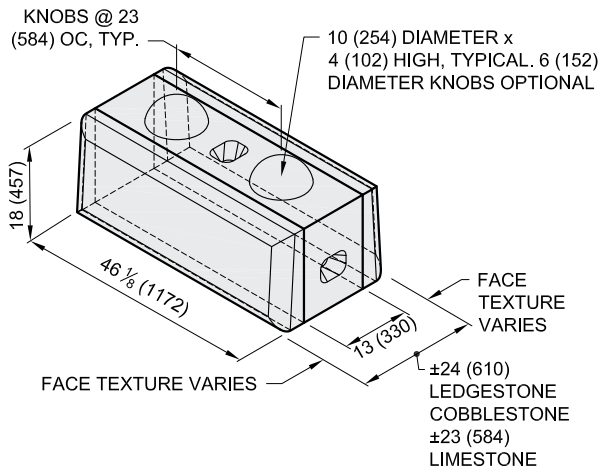
### STRAIGHT GARDEN TOP

Face Texture:	Cobble / Limestone	Ledgestone
Block Weight:	1050 lb (476 kg)	908 lb (412 kg)
Block Volume:	7.35 ft <sup>3</sup> (0.208 m <sup>3</sup> )	6.35 ft <sup>3</sup> (0.180 m <sup>3</sup> )



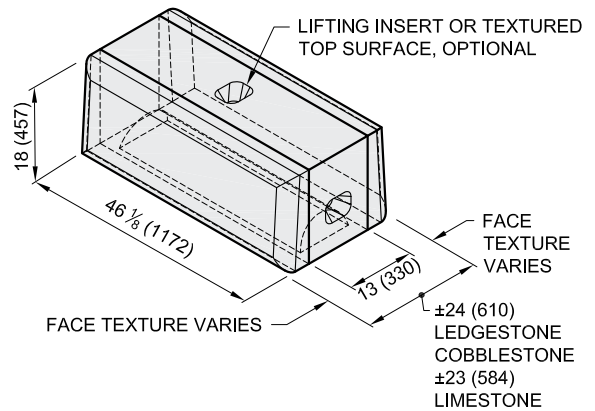
### STRAIGHT BOTTOM

Face Texture:	Cobble / Limestone	Ledgestone
Block Weight:	1523 lb (691 kg)	1381 lb (626 kg)
Block Volume:	10.65 ft <sup>3</sup> (0.302 m <sup>3</sup> )	9.66 ft <sup>3</sup> (0.273 m <sup>3</sup> )



### STRAIGHT TOP

Face Texture:	Cobble / Limestone	Ledgestone
Block Weight:	1375 lb (623 kg)	1232 lb (559 kg)
Block Volume:	9.61 ft <sup>3</sup> (0.272 m <sup>3</sup> )	8.62 ft <sup>3</sup> (0.244 m <sup>3</sup> )



1. Units for dimensions are inches (mm), typical unless noted otherwise.
2. Confirm block production with licensed Redi-Rock manufacturer.
3. Architectural faces on the blocks have varying texture.
4. Actual block volumes and weights may vary.
5. Weights are based upon a concrete density of 143 lb/ft<sup>3</sup> (2291 kg/m<sup>3</sup>).

6. 6" (152 mm) diameter vertical semi-cylindrical voids at the ends of the block for mechanical tie-down are available, refer to Force Protection blocks for additional information.
7. Knobs are typically 10" (254mm) diameter by 4" (102 mm) tall. Smaller knobs are available.

DRAWN BY:	BWL
APPROVED BY:	JRJ
DATE:	3JUN2015
SHEET:	1 of 6

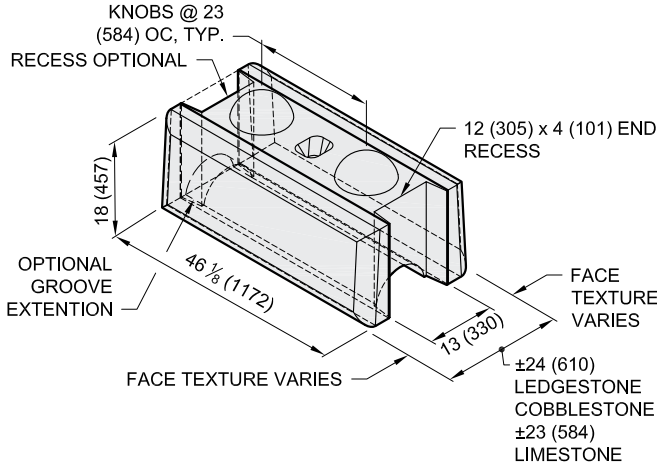
TITLE: **Block Library**  
FREESTANDING BLOCKS

FILE: Redi-Rock Block Library 060315.dwg

**REDI-ROCK®**  
05481 US 31 SOUTH, CHARLEVOIX, MI 49720  
(866) 222-8400 ext 3010 • engineering@redi-rock.com  
www.redi-rock.com

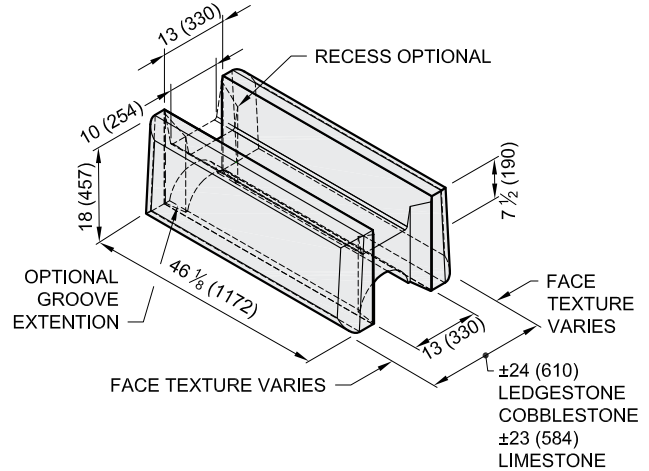
### VARIABLE RADIUS MIDDLE

Face Texture:	Cobble / Limestone	Ledgestone
Block Weight:	1267 lb (574 kg)	1124 lb (510 kg)
Block Volume:	8.86 ft <sup>3</sup> (0.251 m <sup>3</sup> )	7.86 ft <sup>3</sup> (0.223 m <sup>3</sup> )



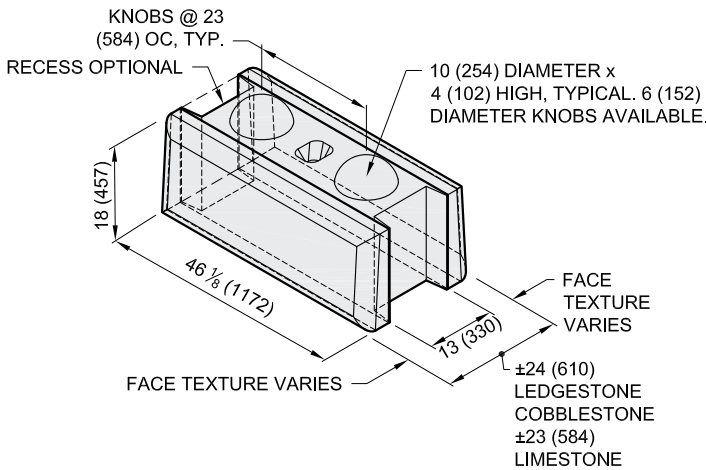
### VARIABLE RADIUS GARDEN TOP

Face Texture:	Cobble / Limestone	Ledgestone
Block Weight:	967 lb (438 kg)	824 lb (374 kg)
Block Volume:	6.76 ft <sup>3</sup> (0.191 m <sup>3</sup> )	5.76 ft <sup>3</sup> (0.163 m <sup>3</sup> )



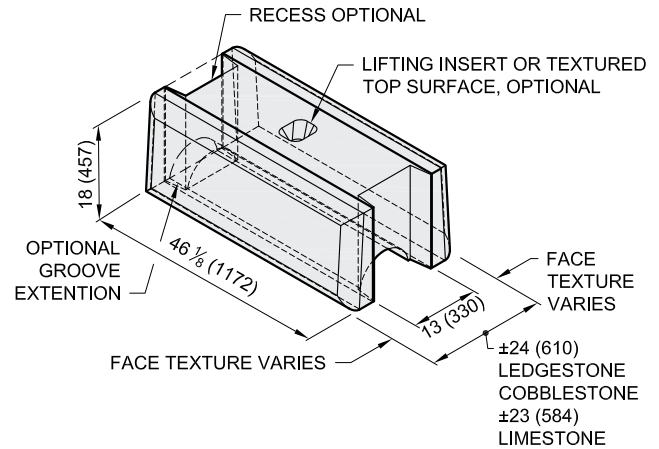
### VARIABLE RADIUS BOTTOM

Face Texture:	Cobble / Limestone	Ledgestone
Block Weight:	1380 lb (626 kg)	1238 lb (561 kg)
Block Volume:	9.65 ft <sup>3</sup> (0.273 m <sup>3</sup> )	8.66 ft <sup>3</sup> (0.245 m <sup>3</sup> )



### VARIABLE RADIUS TOP

Face Texture:	Cobble / Limestone	Ledgestone
Block Weight:	1235 lb (560 kg)	1092 lb (495 kg)
Block Volume:	8.63 ft <sup>3</sup> (0.244 m <sup>3</sup> )	7.64 ft <sup>3</sup> (0.216 m <sup>3</sup> )



1. Units for dimensions are inches (mm), typical unless noted otherwise.
2. Confirm block production with licensed Redi-Rock manufacturer.
3. Variable radius feature can be cast on only one end, coordinate.
4. Architectural faces on the blocks have varying texture.

5. Actual block volumes and weights may vary.
6. Weights are based upon a concrete density of 143 lb/ft<sup>3</sup> (2291 kg/m<sup>3</sup>).
7. Knobs are typically 10" (254 mm) diameter by 4" (102 mm) tall. Smaller knobs are available.

DRAWN BY:	BWL
APPROVED BY:	JRJ
DATE:	3JUN2015
SHEET:	2 of 6

TITLE: **Block Library**  
FREESTANDING BLOCKS

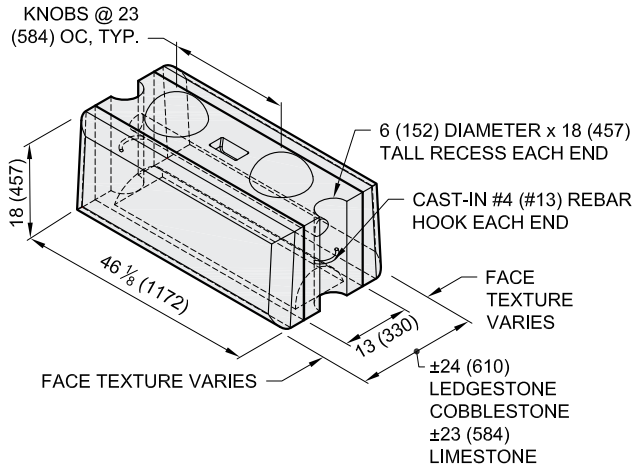
FILE: Redi-Rock Block Library 060315.dwg

**REDI-ROCK®**

05481 US 31 SOUTH, CHARLEVOIX, MI 49720  
(866) 222-8400 ext 3010 • engineering@redi-rock.com  
www.redi-rock.com

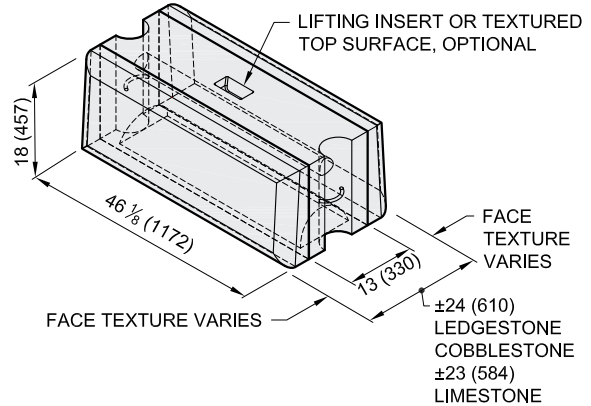
### FORCE PROTECTION MIDDLE

Face Texture:	Cobble / Limestone	Ledgestone
Block Weight:	1345 lb (610 kg)	1203 lb (546 kg)
Block Volume:	9.41 ft <sup>3</sup> (0.267 m <sup>3</sup> )	8.42 ft <sup>3</sup> (0.238 m <sup>3</sup> )



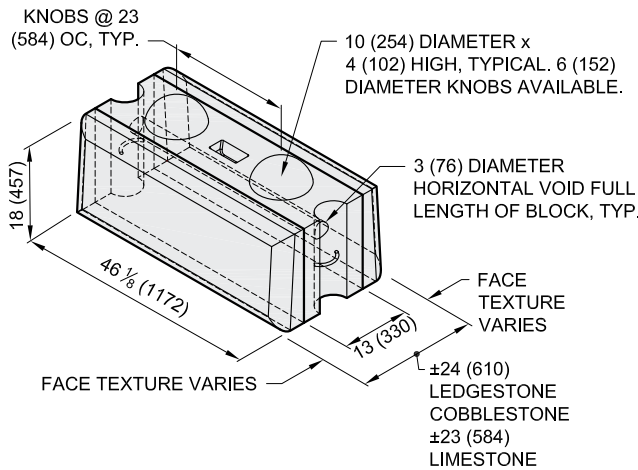
### FORCE PROTECTION TOP

Face Texture:	Cobble / Limestone	Ledgestone
Block Weight:	1314 lb (596 kg)	1171 lb (531 kg)
Block Volume:	9.19 ft <sup>3</sup> (0.260 m <sup>3</sup> )	8.19 ft <sup>3</sup> (0.232 m <sup>3</sup> )



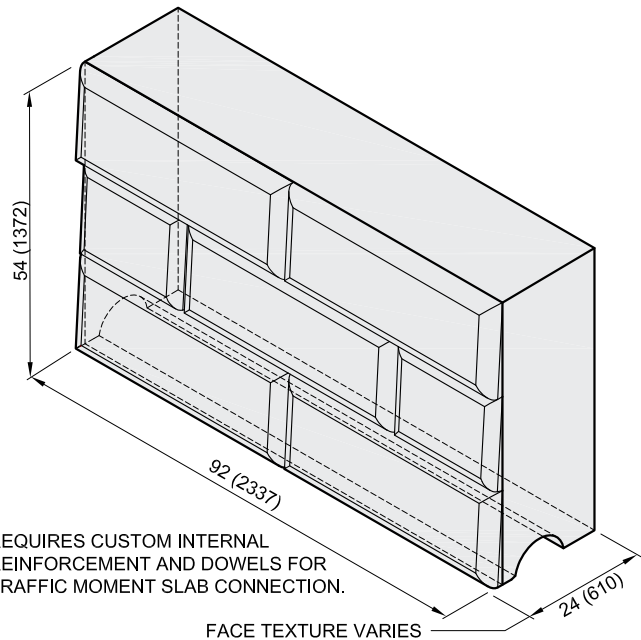
### FORCE PROTECTION BOTTOM

Face Texture:	Cobble / Limestone	Ledgestone
Block Weight:	1463 lb (663 kg)	1320 lb (599 kg)
Block Volume:	10.23 ft <sup>3</sup> (0.290 m <sup>3</sup> )	9.23 ft <sup>3</sup> (0.261 m <sup>3</sup> )



### BARRIER BLOCK

Block Weight:	9,350 lb (4,240 kg)
Block Volume:	65.4 ft <sup>3</sup> (1.85 m <sup>3</sup> )



1. Units for dimensions are inches (mm), typical unless noted otherwise.
2. Confirm block production with licensed Redi-Rock manufacturer.
3. Architectural faces on the blocks have varying texture.
4. Actual block volumes and weights may vary.

5. Weights are based upon a concrete density of 143 lb/ft<sup>3</sup> (2291 kg/m<sup>3</sup>).
6. Knobs are typically 10" (254mm) diameter by 4" (102 mm) tall. Smaller knobs are available.

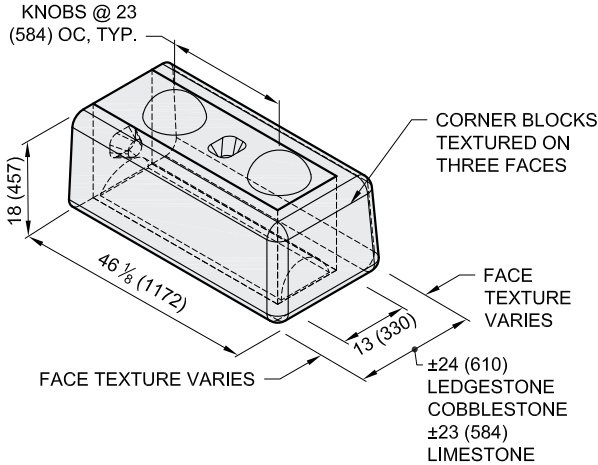
DRAWN BY:	BWL
APPROVED BY:	JRJ
DATE:	3JUN2015
SHEET:	3 of 6

TITLE:	<b>Block Library</b> FREESTANDING BLOCKS
FILE:	Redi-Rock Block Library 060315.dwg

**REDI-ROCK®**  
05481 US 31 SOUTH, CHARLEVOIX, MI 49720  
(866) 222-8400 ext 3010 • engineering@redi-rock.com  
www.redi-rock.com

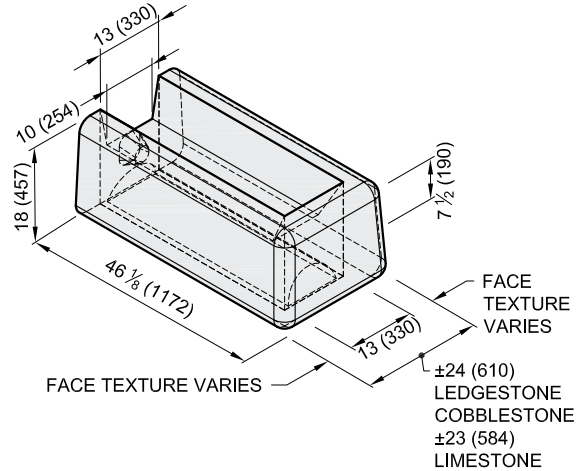
## CORNER MIDDLE

Face Texture:	Limestone	Cobblestone	Ledgestone
Block Weight:	1370 lb (620kg)	1390 lb (630 kg)	1360 lb (617kg)
Block Volume:	9.6 ft <sup>3</sup> (0.27m <sup>3</sup> )	9.7 ft <sup>3</sup> (0.28m <sup>3</sup> )	9.5 ft <sup>3</sup> (0.27m <sup>3</sup> )



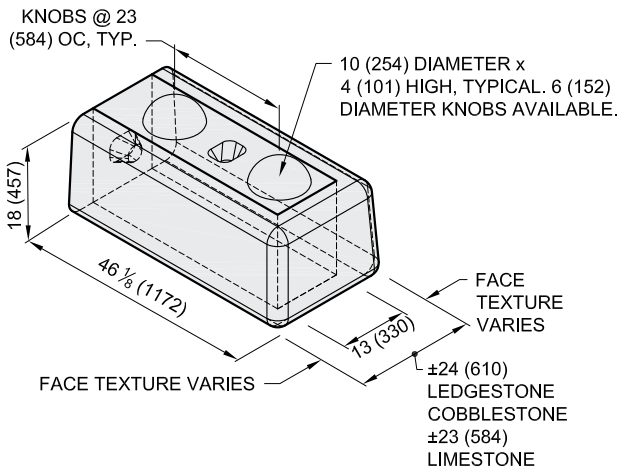
## CORNER GARDEN TOP

Face Texture:	Limestone	Cobblestone	Ledgestone
Block Weight:	1070 lb (480kg)	1080 lb (490 kg)	1060 lb (480kg)
Block Volume:	7.5 ft <sup>3</sup> (0.21m <sup>3</sup> )	7.6 ft <sup>3</sup> (0.22m <sup>3</sup> )	7.4 ft <sup>3</sup> (0.21m <sup>3</sup> )



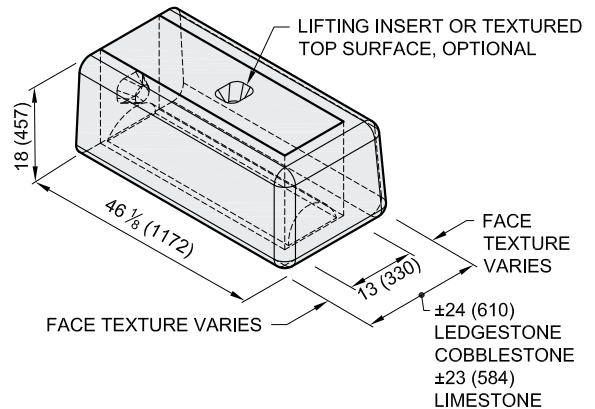
## CORNER BOTTOM

Face Texture:	Limestone	Cobblestone	Ledgestone
Block Weight:	1490 lb (680kg)	1510 lb (680 kg)	1480 lb (670kg)
Block Volume:	10.4 ft <sup>3</sup> (0.30m <sup>3</sup> )	10.5 ft <sup>3</sup> (0.30m <sup>3</sup> )	10.3 ft <sup>3</sup> (0.29m <sup>3</sup> )



## CORNER TOP

Face Texture:	Limestone	Cobblestone	Ledgestone
Block Weight:	1340 lb (610kg)	1360 lb (620 kg)	1330 lb (600kg)
Block Volume:	9.4 ft <sup>3</sup> (0.26m <sup>3</sup> )	9.5 ft <sup>3</sup> (0.27m <sup>3</sup> )	9.3 ft <sup>3</sup> (0.26m <sup>3</sup> )



1. Units for dimensions are inches (mm), typical unless noted otherwise.
2. Confirm block production with licensed Redi-Rock manufacturer.
3. Architectural faces on the blocks have varying texture.
4. Actual block volumes and weights may vary.

5. Weights are based upon a concrete density of 143 lb/ft<sup>3</sup> (2291 kg/m<sup>3</sup>).
6. Knobs are typically 10" (254mm) diameter by 4" (102 mm) tall. Smaller knobs are available.

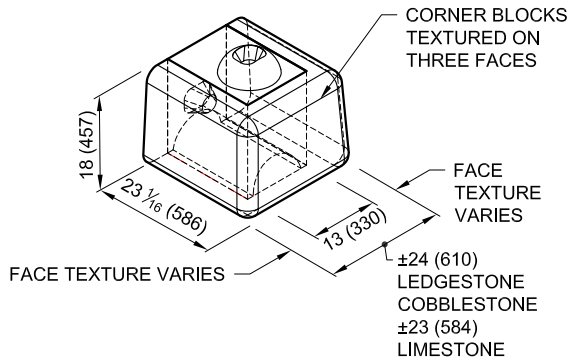
DRAWN BY:	BWL
APPROVED BY:	JRJ
DATE:	3JUN2015
SHEET:	4 of 6

TITLE:	<h1>Block Library</h1> FREESTANDING BLOCKS
FILE:	

**REDI-ROCK®**  
 05481 US 31 SOUTH, CHARLEVOIX, MI 49720  
 (866) 222-8400 ext 3010 • engineering@redi-rock.com  
 www.redi-rock.com

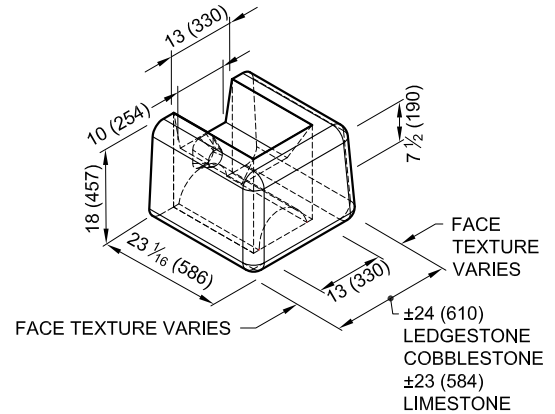
### HALF CORNER MIDDLE

Face Texture:	Limestone	Cobblestone	Ledgestone
Block Weight:	660 lb (300kg)	690 lb (310 kg)	650 lb (300kg)
Block Volume:	4.6 ft <sup>3</sup> (0.13m <sup>3</sup> )	4.8 ft <sup>3</sup> (0.14m <sup>3</sup> )	4.6 ft <sup>3</sup> (0.13m <sup>3</sup> )



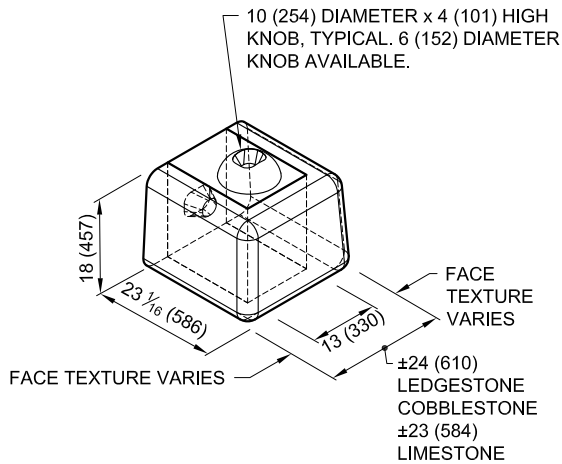
### HALF CORNER GARDEN TOP

Face Texture:	Limestone	Cobblestone	Ledgestone
Block Weight:	530 lb (240kg)	570 lb (260 kg)	530 lb (240kg)
Block Volume:	3.7 ft <sup>3</sup> (0.11m <sup>3</sup> )	4.0 ft <sup>3</sup> (0.11m <sup>3</sup> )	3.7 ft <sup>3</sup> (0.10m <sup>3</sup> )



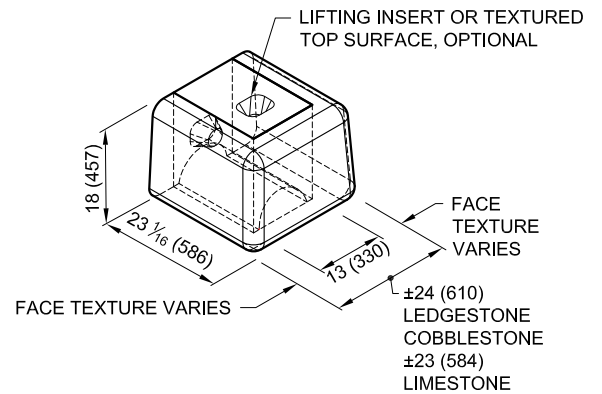
### HALF CORNER BOTTOM

Face Texture:	Limestone	Cobblestone	Ledgestone
Block Weight:	710 lb (320kg)	740 lb (340 kg)	700 lb (320kg)
Block Volume:	5.0 ft <sup>3</sup> (0.14m <sup>3</sup> )	5.2 ft <sup>3</sup> (0.15m <sup>3</sup> )	4.9 ft <sup>3</sup> (0.14m <sup>3</sup> )



### HALF CORNER TOP

Face Texture:	Limestone	Cobblestone	Ledgestone
Block Weight:	640 lb (290kg)	670 lb (310 kg)	630 lb (290kg)
Block Volume:	4.5 ft <sup>3</sup> (0.13m <sup>3</sup> )	4.7 ft <sup>3</sup> (0.13m <sup>3</sup> )	4.4 ft <sup>3</sup> (0.13m <sup>3</sup> )



1. Units for dimensions are inches (mm), typical unless noted otherwise.
2. Confirm block production with licensed Redi-Rock manufacturer.
3. Architectural faces on the blocks have varying texture.
4. Actual block volumes and weights may vary.

5. Weights are based upon a concrete density of 143 lb/ft<sup>3</sup> (2291 kg/m<sup>3</sup>).
6. Knobs are typically 10" (254mm) diameter by 4" (102 mm) tall. Smaller knobs are available.

DRAWN BY:	BWL
APPROVED BY:	JRJ
DATE:	3JUN2015
SHEET:	5 of 6

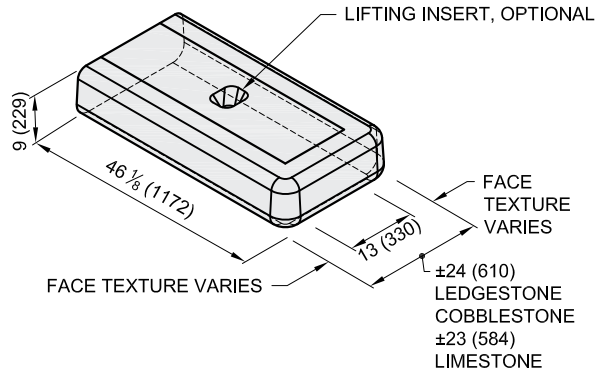
TITLE:	<b>Block Library</b> FREESTANDING BLOCKS
FILE:	

**REDI-ROCK®**  
 05481 US 31 SOUTH, CHARLEVOIX, MI 49720  
 (866) 222-8400 ext 3010 • [engineering@redi-rock.com](mailto:engineering@redi-rock.com)  
[www.redi-rock.com](http://www.redi-rock.com)



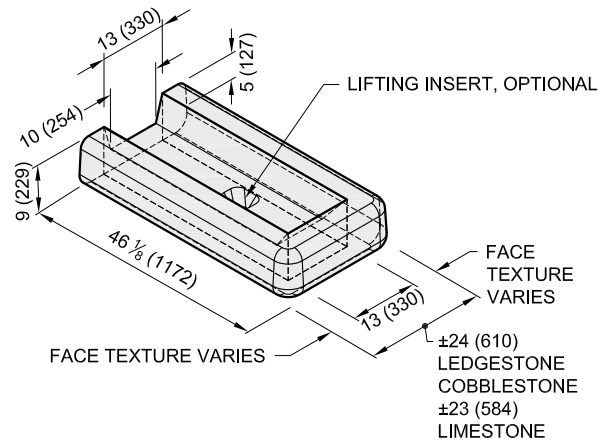
## 9" (230) STEPDOWN

Face Texture:	Cobble / Limestone	Ledgestone
Block Weight:	740 lb (335 kg)	660 lb (300 kg)
Block Volume:	5.17 ft <sup>3</sup> (0.146 m <sup>3</sup> )	4.60 ft <sup>3</sup> (0.130 m <sup>3</sup> )



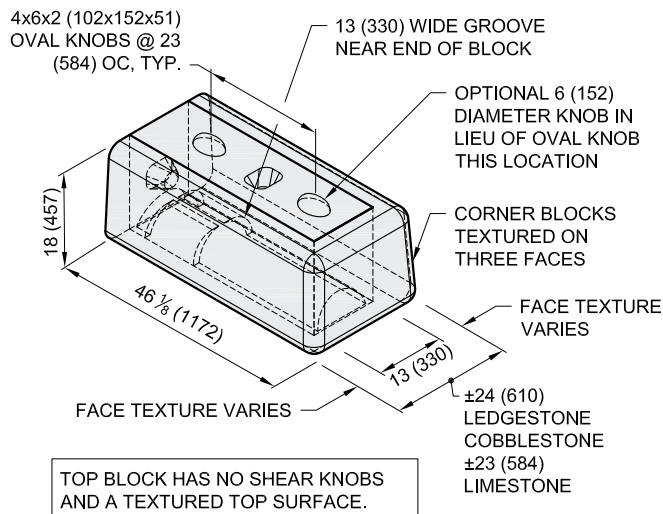
## 9" (230) STEPDOWN GARDEN

Face Texture:	Cobble / Limestone	Ledgestone
Block Weight:	553 lb (251 kg)	471 lb (214 kg)
Block Volume:	3.86 ft <sup>3</sup> (0.109 m <sup>3</sup> )	3.30 ft <sup>3</sup> (0.093 m <sup>3</sup> )



## 90 DEGREE CORNER

Face Texture:	Limestone	Cobblestone	Ledgestone
Block Weight:	1330 lb (600kg)	1350 lb (610 kg)	1320 lb (600kg)
Block Volume:	9.3 ft <sup>3</sup> (0.26m <sup>3</sup> )	9.4 ft <sup>3</sup> (0.27m <sup>3</sup> )	9.2 ft <sup>3</sup> (0.26m <sup>3</sup> )



1. Units for dimensions are inches (mm), typical unless noted otherwise.
2. Confirm block production with licensed Redi-Rock manufacturer.
3. Architectural faces on the blocks have varying texture.

4. Actual block volumes and weights may vary.
5. Weights are based upon a concrete density of 143 lb/ft<sup>3</sup> (2291 kg/m<sup>3</sup>).

DRAWN BY:	BWL
APPROVED BY:	JRJ
DATE:	3JUN2015
SHEET:	6 of 6

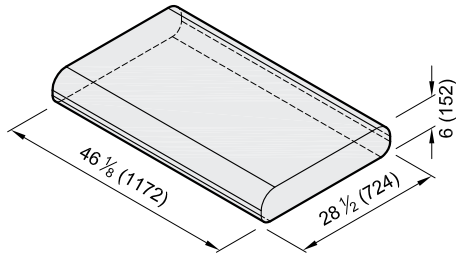
TITLE:	<b>Block Library</b> FREESTANDING BLOCKS
FILE:	Redi-Rock Block Library 060315.dwg

**REDI-ROCK®**

05481 US 31 SOUTH, CHARLEVOIX, MI 49720  
(866) 222-8400 ext 3010 • [engineering@redi-rock.com](mailto:engineering@redi-rock.com)  
[www.redi-rock.com](http://www.redi-rock.com)

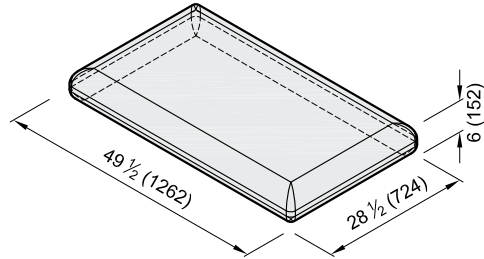
## TWO-SIDED

Block Weight: 631 lb (286 kg)  
 Block Volume: 4.42 ft<sup>3</sup> (0.125 m<sup>3</sup>)



## FOUR-SIDED

Block Weight: 665 lb (302 kg)  
 Block Volume: 4.65 ft<sup>3</sup> (0.132 m<sup>3</sup>)



1. Units for dimensions are inches (mm), typical unless noted otherwise.
2. Confirm block production with licensed Redi-Rock manufacturer.

3. Actual block volumes and weights may vary.
4. Weights are based upon a concrete density of 143 lb/ft<sup>3</sup> (2291 kg/m<sup>3</sup>).

DRAWN BY:	BWL
APPROVED BY:	JRJ
DATE:	3JUN2015
SHEET:	1 of 2

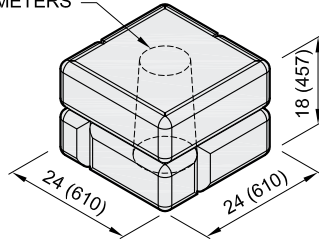
TITLE:	<h1>Block Library</h1> <h2>ACCESSORIES (CAP AND STEP BLOCKS)</h2>
FILE:	

**REDI-ROCK®**  
 05481 US 31 SOUTH, CHARLEVOIX, MI 49720  
 (866) 222-8400 ext 3010 • [engineering@redi-rock.com](mailto:engineering@redi-rock.com)  
[www.redi-rock.com](http://www.redi-rock.com)

### COLUMN - 8" (203mm) CORE

Block Weight: 730 lb (330 kg)  
 Block Volume: 5.1 ft<sup>3</sup> (0.14 m<sup>3</sup>)

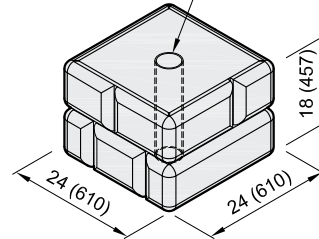
CENTERED THRU TAPERED HOLE  
 8-10 (200-250) DIAMETERS



### COLUMN - 4" (102mm) CORE

Block Weight: 810 lb (370 kg)  
 Block Volume: 5.6 ft<sup>3</sup> (0.16 m<sup>3</sup>)

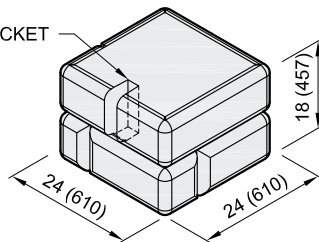
CENTERED 4 (102) DIAMETER  
 PVC PIPE SLEEVE THRU BLOCK



### COLUMN - SOLID CORE

Block Weight: 825 lb (375 kg)  
 Block Volume: 5.8 ft<sup>3</sup> (0.16 m<sup>3</sup>)

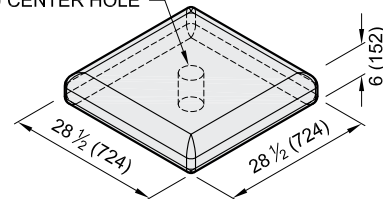
OPTIONAL FENCE POCKET



### COLUMN CAP

Block Weight: 390 lb (180 kg)  
 Block Volume: 2.7 ft<sup>3</sup> (0.08 m<sup>3</sup>)

OPTIONAL 4 (102) DIAMETER  
 THRU CENTER HOLE



1. Units for dimensions are inches (mm), typical unless noted otherwise.
2. Confirm block production with licensed Redi-Rock manufacturer.
3. Actual block volumes and weights may vary.
4. Weights are based upon a concrete density of 143 lb/ft<sup>3</sup> (2291 kg/m<sup>3</sup>).

5. Weight and volume ranges represents the blocks with the maximum hole size shown and with no hole.
6. Optional fence rail pockets available upon request. Typical pocket size is: 2 (50) wide x 5 (130) deep x 9 (230) tall.

DRAWN BY:	BWL
APPROVED BY:	JRJ
DATE:	3JUN2015
SHEET:	2 of 2

TITLE: **Block Library**  
 ACCESSORIES (CAP AND STEP BLOCKS)

FILE: Redi-Rock Block Library 060315.dwg

**REDI-ROCK**<sup>®</sup>

05481 US 31 SOUTH, CHARLEVOIX, MI 49720  
 (866) 222-8400 ext 3010 • engineering@redi-rock.com  
[www.redi-rock.com](http://www.redi-rock.com)