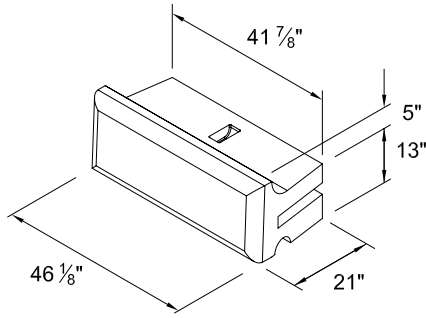


21" SERIES BLOCKS

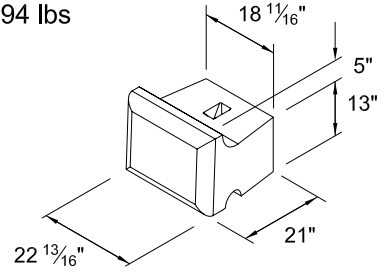
Top - 21"

Volume = 7.22 cft
 Weight = ±1032 lbs
 C of G = 11.37"



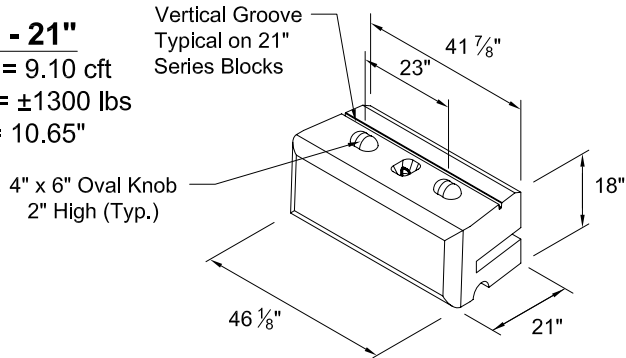
Half Top - 21"

Volume = 3.45 cft
 Weight = ±494 lbs



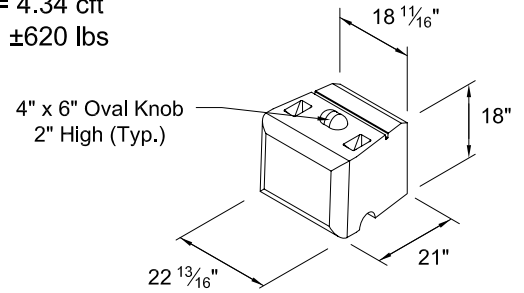
Middle - 21"

Volume = 9.10 cft
 Weight = ±1300 lbs
 C of G = 10.65"



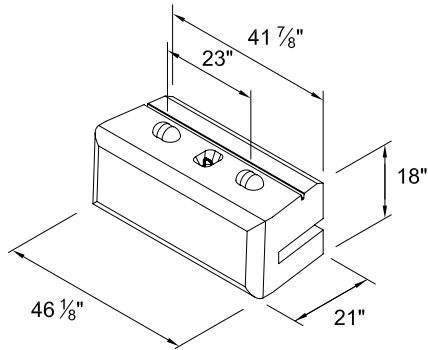
Half Middle - 21"

Volume = 4.34 cft
 Weight = ±620 lbs



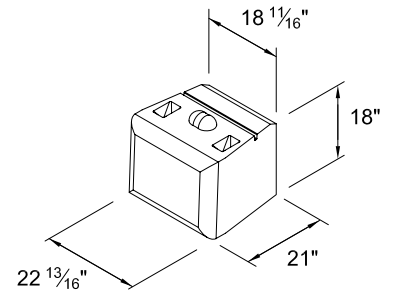
Bottom - 21"

Volume = 9.36 cft
 Weight = ±1338 lbs
 C of G = 10.71"



Half Bottom - 21"

Volume = 4.46 cft
 Weight = ±638 lbs



NOTES:

Volume and Center of Gravity (C of G) calculations are based on the blocks as shown.

Center of Gravity is measured from the back of the block.

Half blocks may include a fork lift slot on one side.

Actual weights and volumes may vary.

Weight shown is based on 143 pcf concrete.

DRAWN BY J. JOHNSON	01/14/09	Redi-Rock® International, LLC	
CHECKED BY			
APPROVED BY		DRAWING FILE 21in Series Block Details 011409.dwg	REVISION ---
ISSUE DATE		SCALE NO SCALE	SHEET NO. 1 OF 1