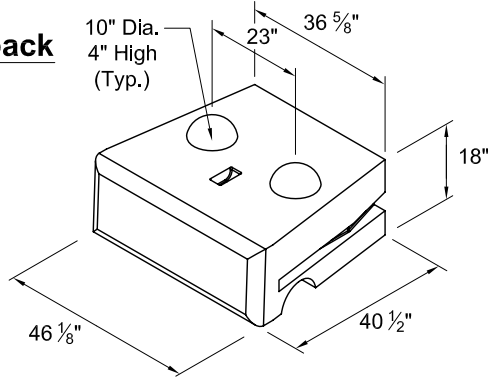


9" SETBACK BLOCKS

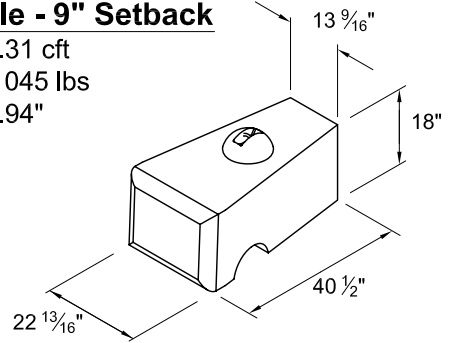
Middle - 9" Setback

Volume = 16.47 cft
 Weight = ±2355 lbs
 C of G = 20.80"



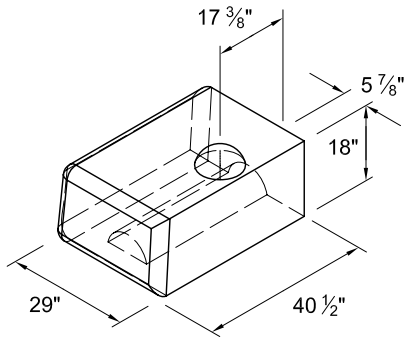
Half Middle - 9" Setback

Volume = 7.31 cft
 Weight = ±1045 lbs
 C of G = 21.94"



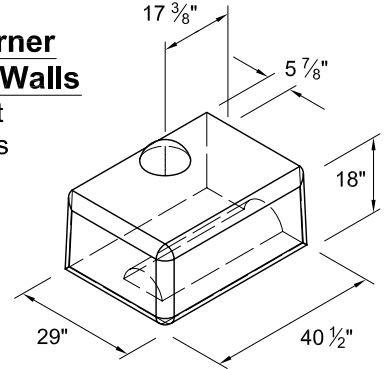
Left Hand Corner for 9" Setback Walls

Volume = 11.24 cft
 Weight = ±1607 lbs



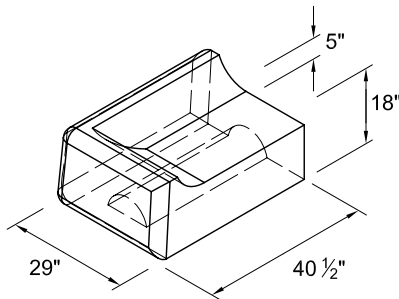
Right Hand Corner for 9" Setback Walls

Volume = 11.24 cft
 Weight = ±1607 lbs



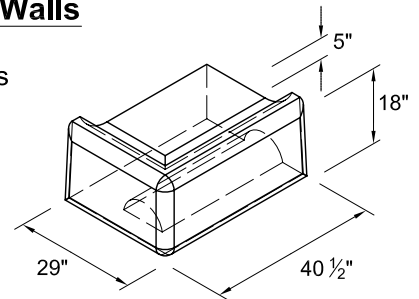
Top - Left Hand Corner for 9" Setback Walls

Volume = 9.08 cft
 Weight = ±1298 lbs



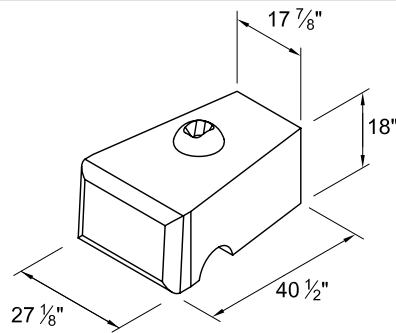
Top - Right Hand Corner for 9" Setback Walls

Volume = 9.08 cft
 Weight = ±1298 lbs

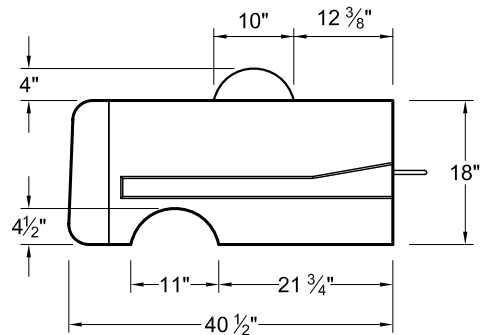


(Specialty Block) 27" Wide Middle for 9" Setback Walls

Volume = 9.32 cft
 Weight = ±1332 lbs
 C of G = 21.49"



(THIS SPECIALTY BLOCK MAY HAVE LIMITED AVAILABILITY AND IS ONLY USED IN DOUBLE 90° CORNER APPLICATIONS)



9" Setback Block

NOTES:

Volume and Center of Gravity (C of G) calculations are based on the blocks as shown.

Center of Gravity is measured from the back of the block.

Half blocks may include a fork lift slot on one side.

Actual weights and volumes may vary.

Weight shown is based on 143 pcf concrete.

DRAWN BY J. JOHNSON	07/31/09	Redi-Rock® International, LLC	
CHECKED BY			
APPROVED BY		DRAWING FILE 9in Setback Block Details 073109.dwg	REVISION ---
ISSUE DATE		SCALE NO SCALE	SHEET NO. 1 OF 1