

HDPE Standard Fitting
Master Index

Tees

P1050 – Single Tee

P1100 – Double Tee

P1150 – Triple Tee

P1200 – Cross Tee

Elbows

P2050 – 90° Elbow

P2100 – 45° Elbow

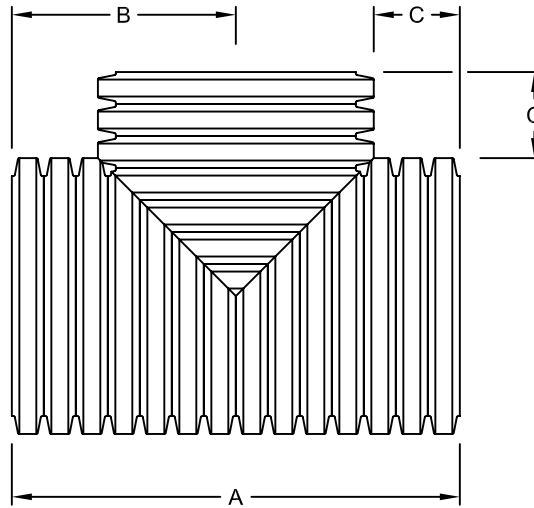
P2150 – 22.5° Elbow

Wyes

P3050 – Wye

Endcaps & Reducers

P4050 – Wye



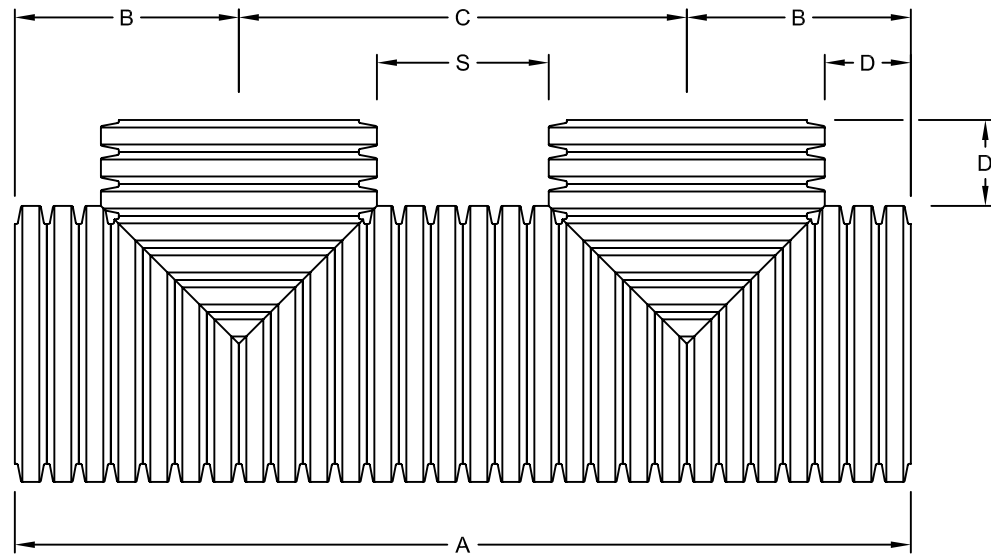
TOP VIEW

PIPE SIZE	PART #	A	B	C
6"	HDFT06T/S	12.50"	6.25"	2.75"
8"	HDFT08T/S	15.50"	7.75"	3.00"
10"	HDFT10T/S	18.50"	9.25"	3.25"
12"	HDFT12T/S	23.50"	11.75"	4.50"
15"	HDFT15T/S	31.00"	15.50"	6.75"
18"	HDFT18T/S	35.50"	17.75"	7.00"
24"	HDFT24T/S	47.25"	23.50"	9.75"
30"	HDFT30T/S	56.00"	28.00"	10.75"
36"	HDFT36T/S	64.00"	32.00"	11.50"
42"	HDFT42T/S	74.75"	37.25"	13.50"
48"	HDFT48T/S	74.75"	37.25"	10.00"

NOTE: ALL FITTING DIMENSIONS ARE FOR REFERENCE ONLY.

File Name:	P1050	LANE ENTERPRISES, INC. SINGLE TEE
Page Number:	1 OF 1	
Date Drawn:	5-9-09	
Drawn By:	JCH	





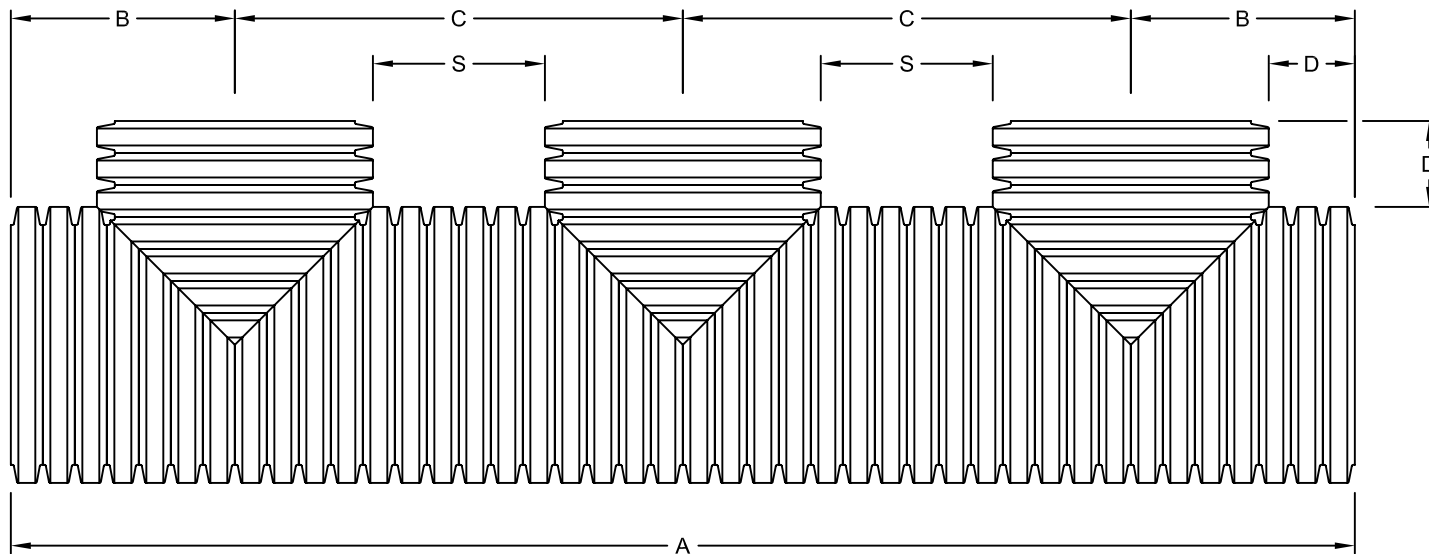
TOP VIEW

PIPE SIZE	PART #	A	B	C	D	S
12"	HDFT12TX2/S	47.25"	11.75"	23.50"	4.50"	9.00"
15"	HDFT15TX2/S	62.00"	15.50"	31.00"	6.75"	13.50"
18"	HDFT18TX2/S	71.00"	17.75"	35.50"	7.00"	14.00"
24"	HDFT24TX2/S	94.50"	23.50"	47.25"	9.75"	19.25"
30"	HDFT30TX2/S	112.00"	28.00"	56.00"	10.75"	21.50"
36"	HDFT36TX2/S	128.00"	32.00"	64.00"	11.50"	23.00"
42"	HDFT42TX2/S	149.25"	37.25"	74.75"	13.50"	27.25"
48"	HDFT48TX2/S	149.25"	37.25"	74.75"	10.00"	20.25"

NOTE: ALL FITTING DIMENSIONS ARE FOR REFERENCE ONLY.

File Name:	P1100	LANE ENTERPRISES, INC. DOUBLE TEE
Page Number:	1 OF 1	
Date Drawn:	5-9-09	
Drawn By:	JCH	





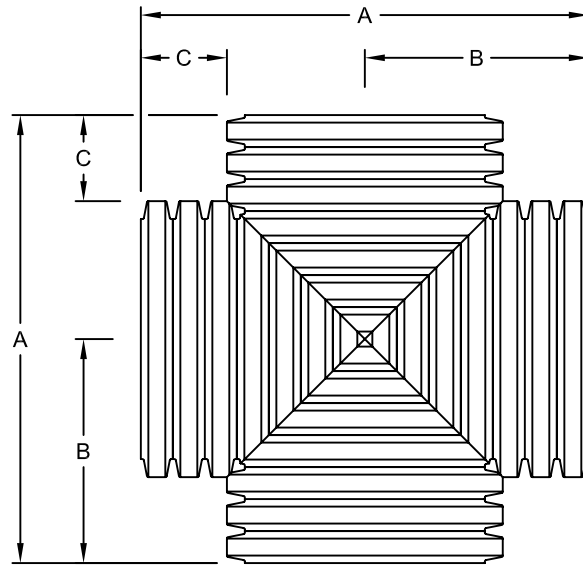
TOP VIEW

PIPE SIZE	PART #	A	B	C	D	S
12"	HDFT12TX3/S	70.75"	11.75"	23.50"	4.50"	9.00"
15"	HDFT15TX3/S	93.00"	15.50"	31.00"	6.75"	13.50"
18"	HDFT18TX3/S	106.75"	17.75"	35.50"	7.00"	14.00"
24"	HDFT24TX3/S	141.75"	23.50"	47.25"	9.75"	19.25"
30"	HDFT30TX3/S	168.00"	28.00"	56.00"	10.75"	21.50"
36"	HDFT36TX3/S	192.00"	32.00"	64.00"	11.50"	23.00"
42"	HDFT42TX3/S	224.00"	37.25"	74.75"	13.50"	27.25"
48"	HDFT48TX3/S	224.00"	37.25"	74.75"	10.00"	20.25"

NOTE: ALL FITTING DIMENSIONS ARE FOR REFERENCE ONLY.

File Name:	P1150	LANE ENTERPRISES, INC. TRIPLE TEE
Page Number:	1 OF 1	
Date Drawn:	5-9-09	
Drawn By:	JCH	





TOP VIEW

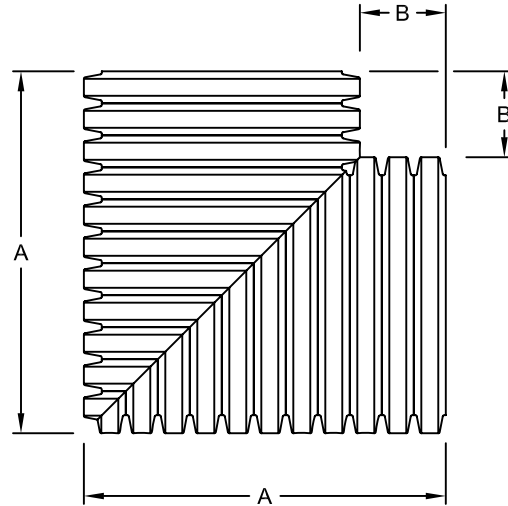
PIPE SIZE	PART #	A	B	C
6"	HDFT06CT/S	12.50"	6.25"	2.75"
8"	HDFT08CT/S	15.50"	7.75"	3.00"
10"	HDFT10CT/S	18.50"	9.25"	3.25"
12"	HDFT12CT/S	23.50"	11.75"	4.50"
15"	HDFT15CT/S	31.00"	15.50"	6.75"
18"	HDFT18CT/S	35.50"	17.75"	7.00"
24"	HDFT24CT/S	47.25"	23.50"	9.75"
* 30"	HDFT30CT/S	56.00"	28.00"	10.75"
* 36"	HDFT36CT/S	64.00"	32.00"	11.50"
* 42"	HDFT42CT/S	74.75"	37.25"	13.50"
* 48"	HDFT48CT/S	74.75"	37.25"	10.00"

* Requires concrete encasement or flowable fill to at least 6" above fitting

NOTE: ALL FITTING DIMENSIONS ARE FOR REFERENCE ONLY.

File Name:	P1200	LANE ENTERPRISES, INC. CROSS TEE
Page Number:	1 OF 1	
Date Drawn:	5-9-09	
Drawn By:	JCH	





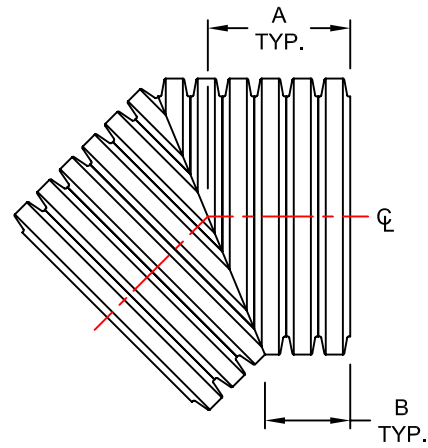
TOP VIEW

PIPE SIZE	PART #	A	B
6"	HDFT06EL90/S	9.75"	2.75"
8"	HDFT08EL90/S	12.50"	3.00"
10"	HDFT10EL90/S	15.25"	3.25"
12"	HDFT12EL90/S	19.00"	4.50"
15"	HDFT15EL90/S	24.25"	6.75"
18"	HDFT18EL90/S	28.50"	7.00"
24"	HDFT24EL90/S	37.75"	9.75"
30"	HDFT30EL90/S	45.25"	10.75"
36"	HDFT36EL90/S	52.50"	11.50"
42"	HDFT42EL90/S	61.00"	13.50"
48"	HDFT48EL90/S	64.50"	10.00"

NOTE: ALL FITTING DIMENSIONS ARE FOR REFERENCE ONLY.

File Name:	P2050	LANE ENTERPRISES, INC. 90° ELBOW
Page Number:	1 OF 1	
Date Drawn:	5-9-09	
Drawn By:	JCH	





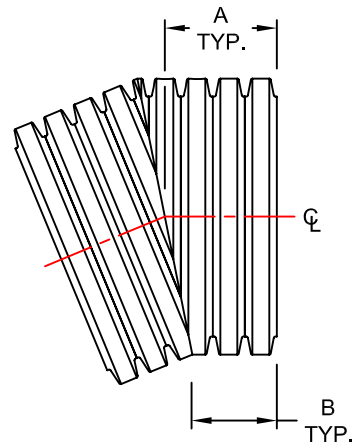
TOP VIEW

PIPE SIZE	PART #	A	B
6"	HDFT06EL45/S	5.00"	3.50"
8"	HDFT08EL45/S	5.25"	3.50"
10"	HDFT10EL45/S	7.00"	4.50"
12"	HDFT12EL45/S	8.75"	5.75"
15"	HDFT15EL45/S	11.50"	8.00"
18"	HDFT18EL45/S	13.25"	9.00"
24"	HDFT24EL45/S	17.75"	12.00"
30"	HDFT30EL45/S	17.75"	10.75"
36"	HDFT36EL45/S	18.00"	9.50"
42"	HDFT42EL45/S	24.00"	14.25"
48"	HDFT48EL45/S	24.00"	12.75"

NOTE: ALL FITTING DIMENSIONS ARE FOR REFERENCE ONLY.

File Name:	P2100	LANE ENTERPRISES, INC. 45° ELBOW
Page Number:	1 OF 1	
Date Drawn:	5-10-09	
Drawn By:	JCH	





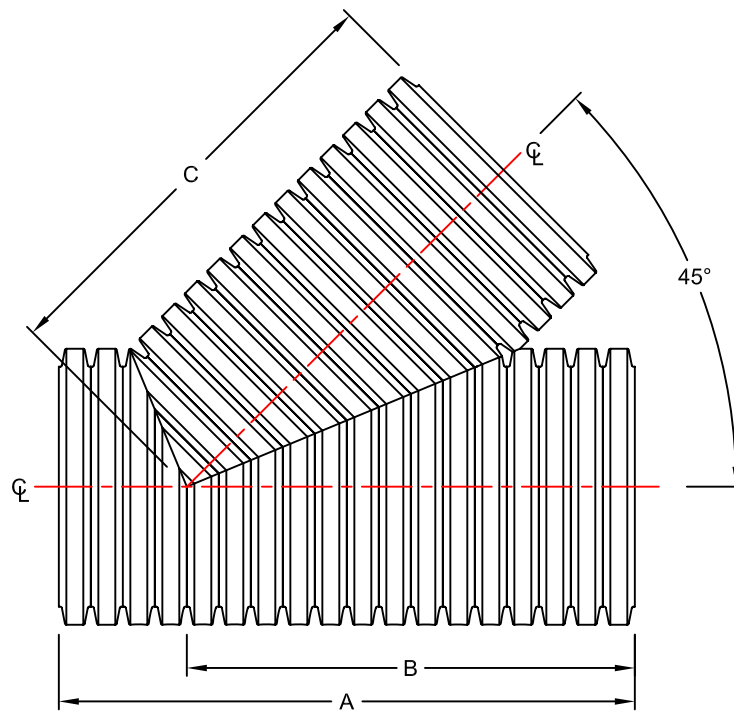
TOP VIEW

PIPE SIZE	PART #	A	B
6"	HDFT06EL22/S	3.50"	2.75"
8"	HDFT08EL22/S	4.25"	3.50"
10"	HDFT10EL22/S	5.50"	4.25"
12"	HDFT12EL22/S	7.00"	5.50"
15"	HDFT15EL22/S	9.00"	7.25"
18"	HDFT18EL22/S	10.25"	8.25"
24"	HDFT24EL22/S	13.75"	11.00"
30"	HDFT30EL22/S	14.00"	10.50"
36"	HDFT36EL22/S	14.00"	10.00"
42"	HDFT42EL22/S	18.75"	14.00"
48"	HDFT48EL22/S	18.75"	13.25"

NOTE: ALL FITTING DIMENSIONS ARE FOR REFERENCE ONLY.

File Name:	P2150	LANE ENTERPRISES, INC. 22.5° ELBOW
Page Number:	1 OF 1	
Date Drawn:	5-10-09	
Drawn By:	JCH	





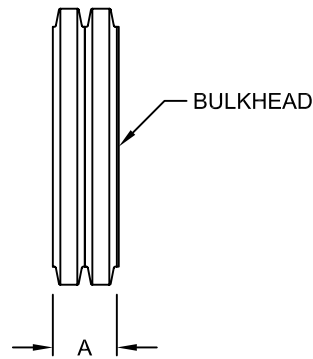
TOP VIEW

PIPE SIZE	PART #	A	B	C
6"	HDFT06W/S	14.75"	11.00"	11.00"
8"	HDFT08W/S	19.50"	14.50"	14.50"
10"	HDFT10W/S	24.50"	18.50"	18.50"
12"	HDFT12W/S	31.50"	23.50"	23.50"
15"	HDFT15W/S	41.25"	31.00"	31.00"
18"	HDFT18W/S	47.50"	35.50"	35.50"
24"	HDFT24W/S	63.00"	47.25"	47.25"
30"	HDFT30W/S	72.00"	54.00"	54.00"
36"	HDFT36W/S	84.00"	64.00"	64.00"

NOTE: ALL FITTING DIMENSIONS ARE FOR REFERENCE ONLY.

File Name:	P3050	LANE ENTERPRISES, INC. WYE
Page Number:	1 OF 1	
Date Drawn:	5-11-09	
Drawn By:	JCH	





TOP VIEW

PIPE SIZE	PART #	A
6"	HDFT06EC/S	3.00"
8"	HDFT08EC/S	4.00"
10"	HDFT10EC/S	3.00"
12"	HDFT12EC/S	4.00"
15"	HDFT15EC/S	5.25"
18"	HDFT18EC/S	6.00"
24"	HDFT24EC/S	7.75"
30"	HDFT30EC/S	8.00"
36"	HDFT36EC/S	8.00"
42"	HDFT42EC/S	10.75"
48"	HDFT48EC/S	10.75"

NOTE: ALL FITTING DIMENSIONS ARE FOR REFERENCE ONLY.

File Name:	P4050	LANE ENTERPRISES, INC. ENDCAP
Page Number:	1 OF 1	
Date Drawn:	5-11-09	
Drawn By:	JCH	

