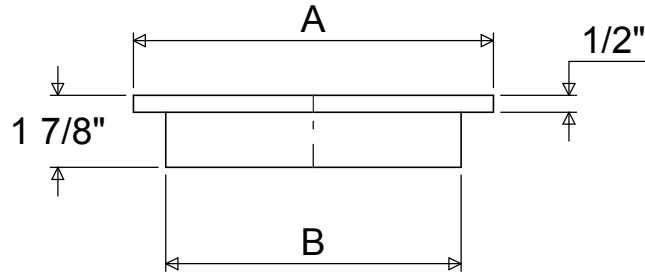
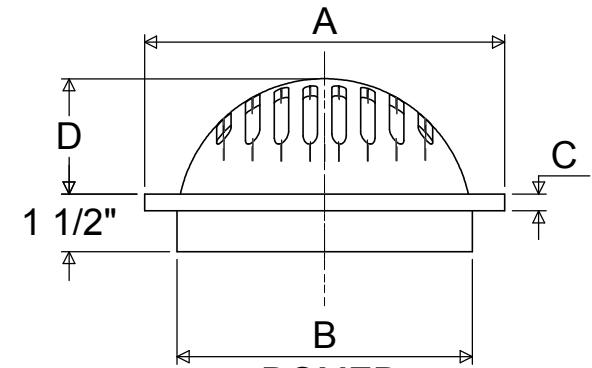


PEDESTRIAN
AVAILABLE 8"-10"



SOLID
AVAILABLE 8"-10"



DOMED
AVAILABLE 8"-10"

SIZE	A	B	C	D
8	9 3/8	7 11/16	1/4	3
10	11 1/2	9 5/8	3/8	4 1/4

PEDESTRIAN, SOLID, AND DOMED HAVE A LIGHT DUTY RATING
 MATERIAL: DUCTILE IRON GRATE
 MATERIALS SHALL CONFORM TO ASTM A536 80-55-06
 PAINT: CASTINGS ARE FURNISHED WITH BLACK PAINT
 OPTIONAL LOCKING DEVICE: LOCKING BOLT AND BAR INSERT



THE HARRINGTON CORPORATION

8"-10" ONE PIECE ROUND GRATE DETAIL

DWG NO. **2013-002** REV **A**

SCALE 1:5 4/9/2013

DWN BY: JBF CKD BY:

SIZE **A** SHEET 1 OF 1

IMPORTANT:
 This drawing is the property of THE HARRINGTON CORP and contains confidential information which is not to be used in whole or in part for any purpose other than for which it was specifically furnished. This drawing is to be returned to HARRINGTON upon demand.

TOLERANCES
 X = ± 1/16"
 ANGLES ± 2°