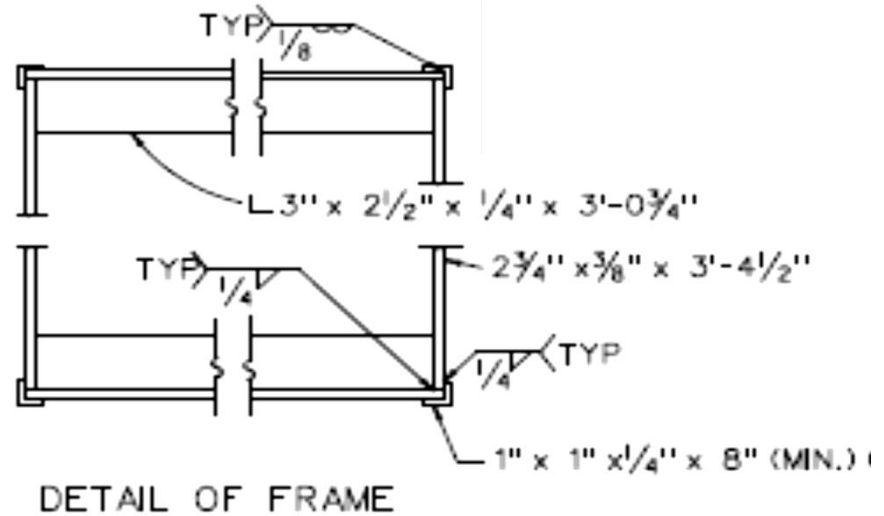
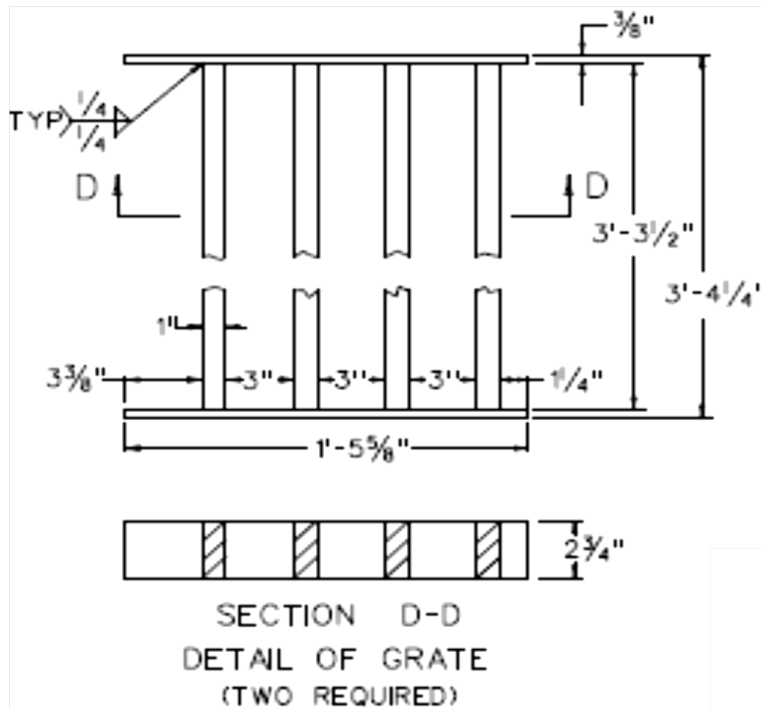


## DROP BOX INLET - TYPE 1



<b>BARS</b>	<b>QUANTITY</b>
2 3/4" x 1" x 3'-3 1/2"	= 8
<b>GRATE PLATE</b>	<b>QUANTITY</b>
2 3/4" x 3/8" x 1'-5 5/8"	= 4
<b>FRAME</b>	<b>QUANTITY</b>
2 3/4" x 3/8" x 3'-4 1/2"	= 2
2 3/4" x 3/8" x 3'-0 3/4"	= 2
L BARS - 3" x 2 1/2" x 1/4" x 3'-0 3/4"	= 2
1" x 1" x 1/4" x 8" (MIN)	= 4